

42077 Rally Car 2WD Remote Control modification instructions by RacingBrick



LEGO® Technic 42077 Rally Car 2 wheel drive remote control mod instructions

Original instructions are needed to complete the build, please follow the original steps where indicated

Contact racingbrick@racingbrick.com with any questions regarding this mod

Copyright© 2018 RacingBrick.com

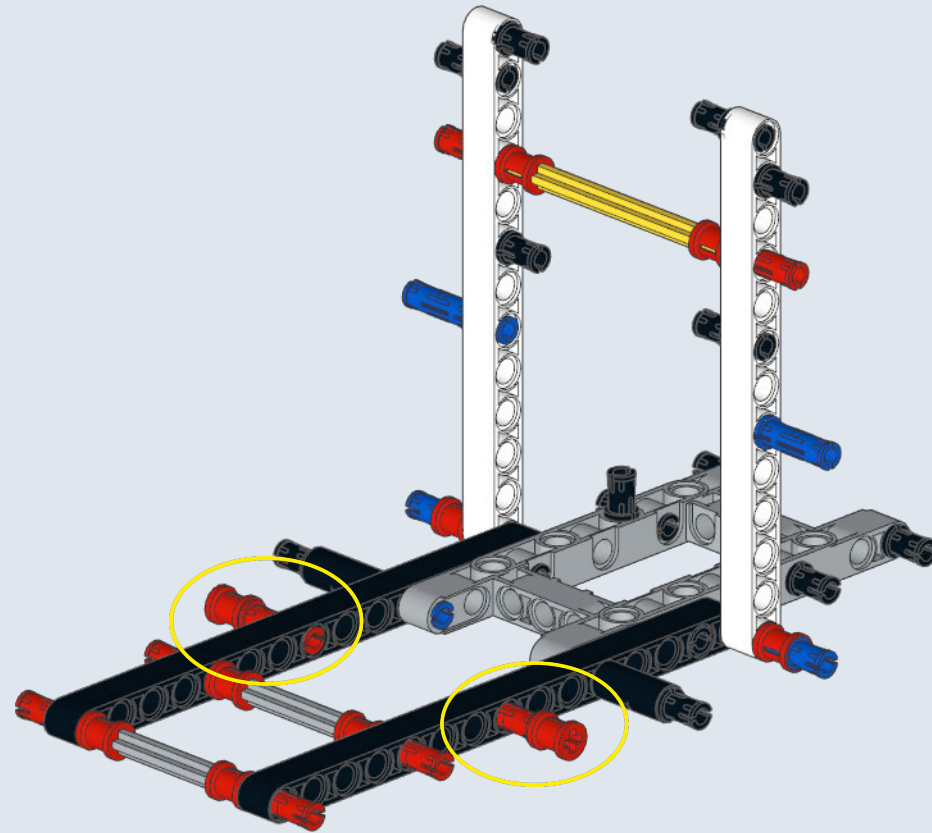
LEGO® is a registered trademark of the LEGO Group,
which does not sponsor, endorse, or authorize these
instructions or the model they depict.



1-10 original steps



10.1




11-12

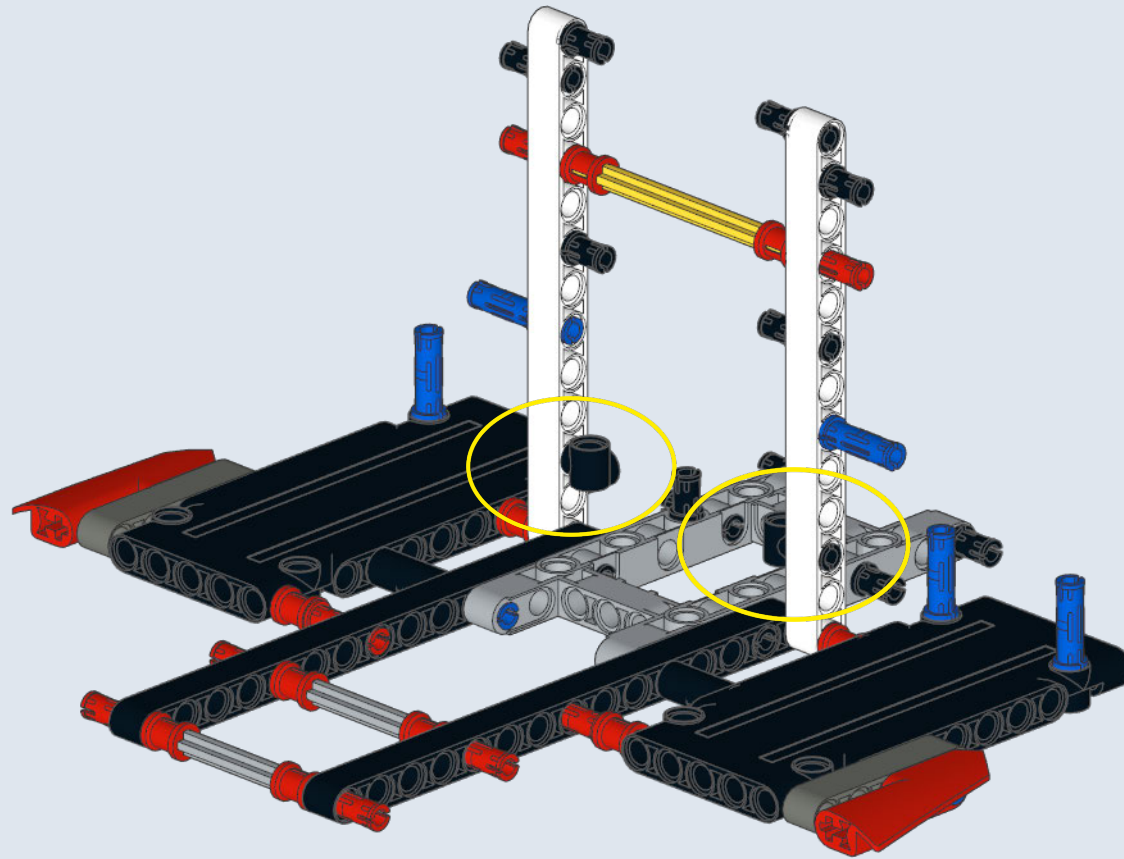
original steps



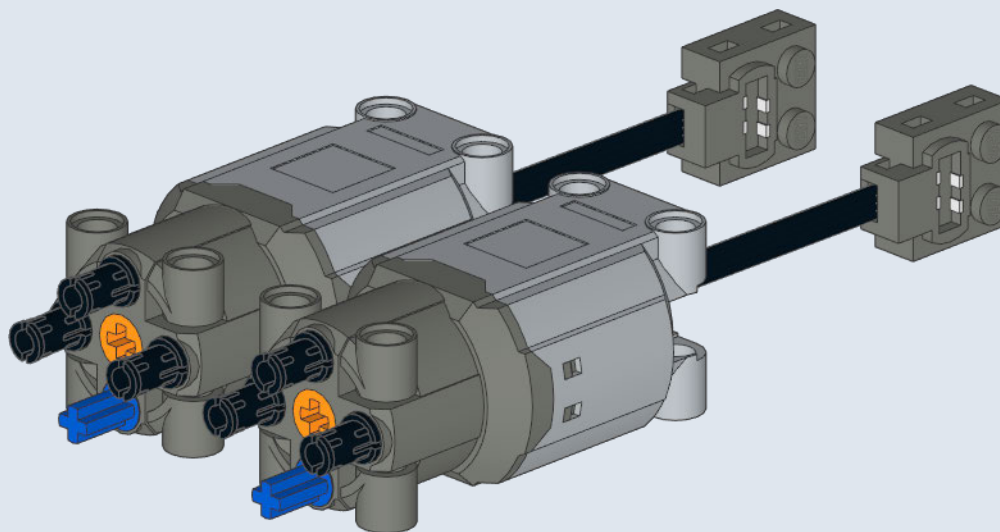
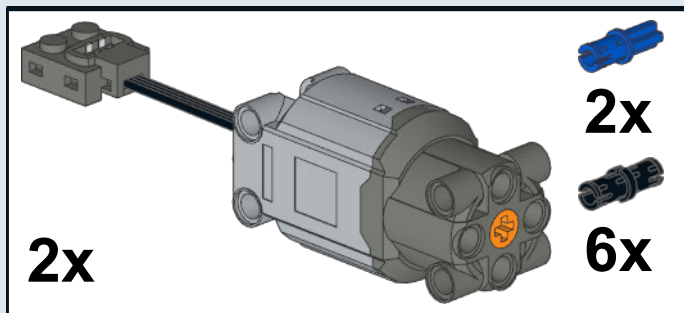
12.1



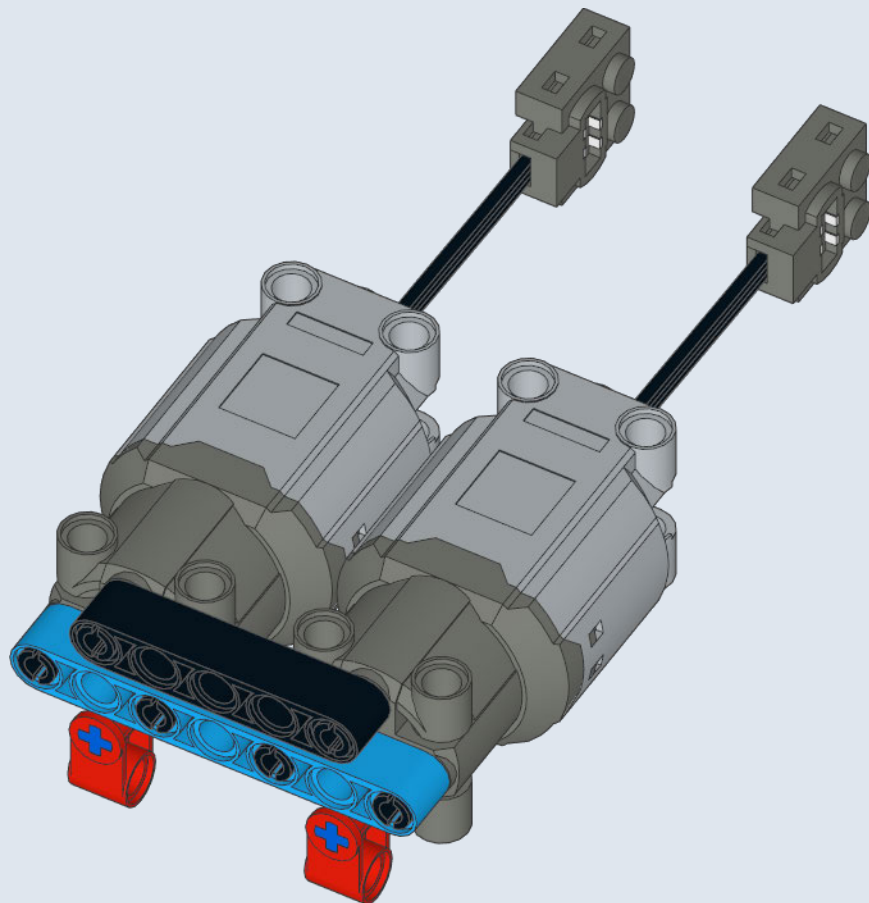
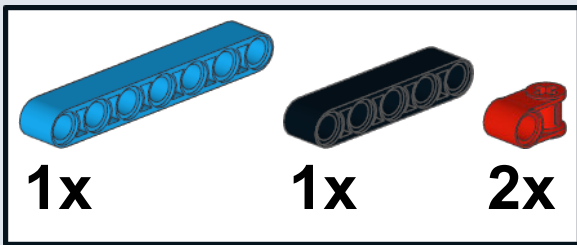
2x



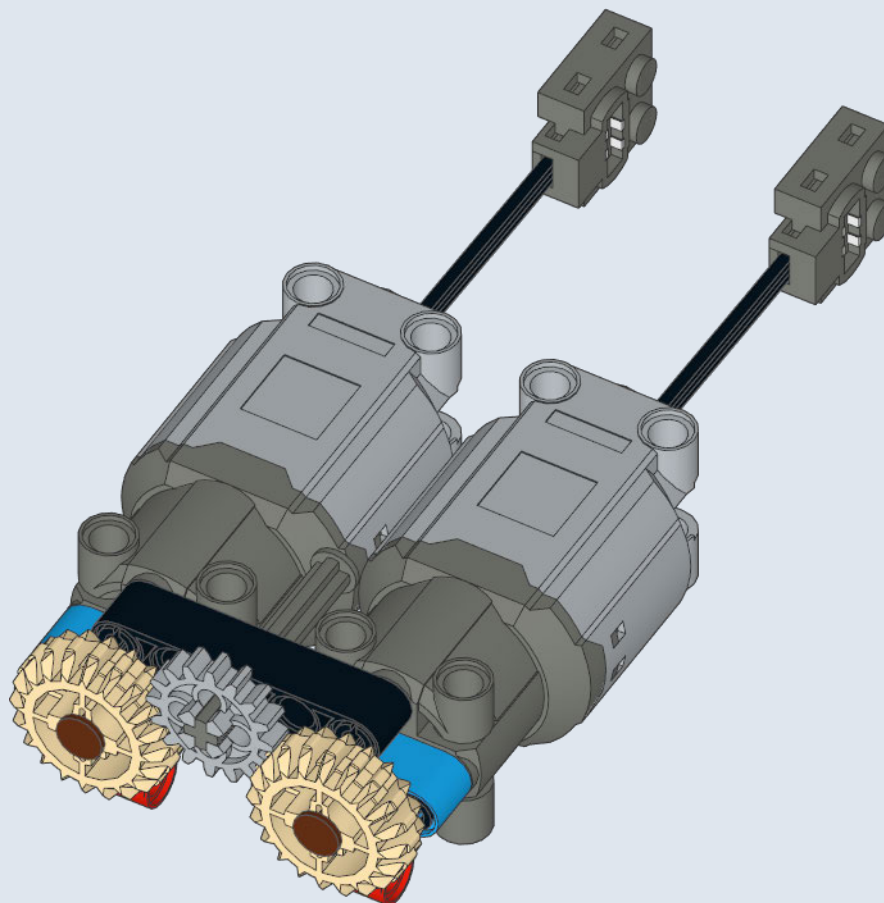
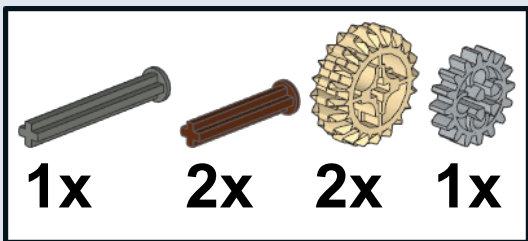
1



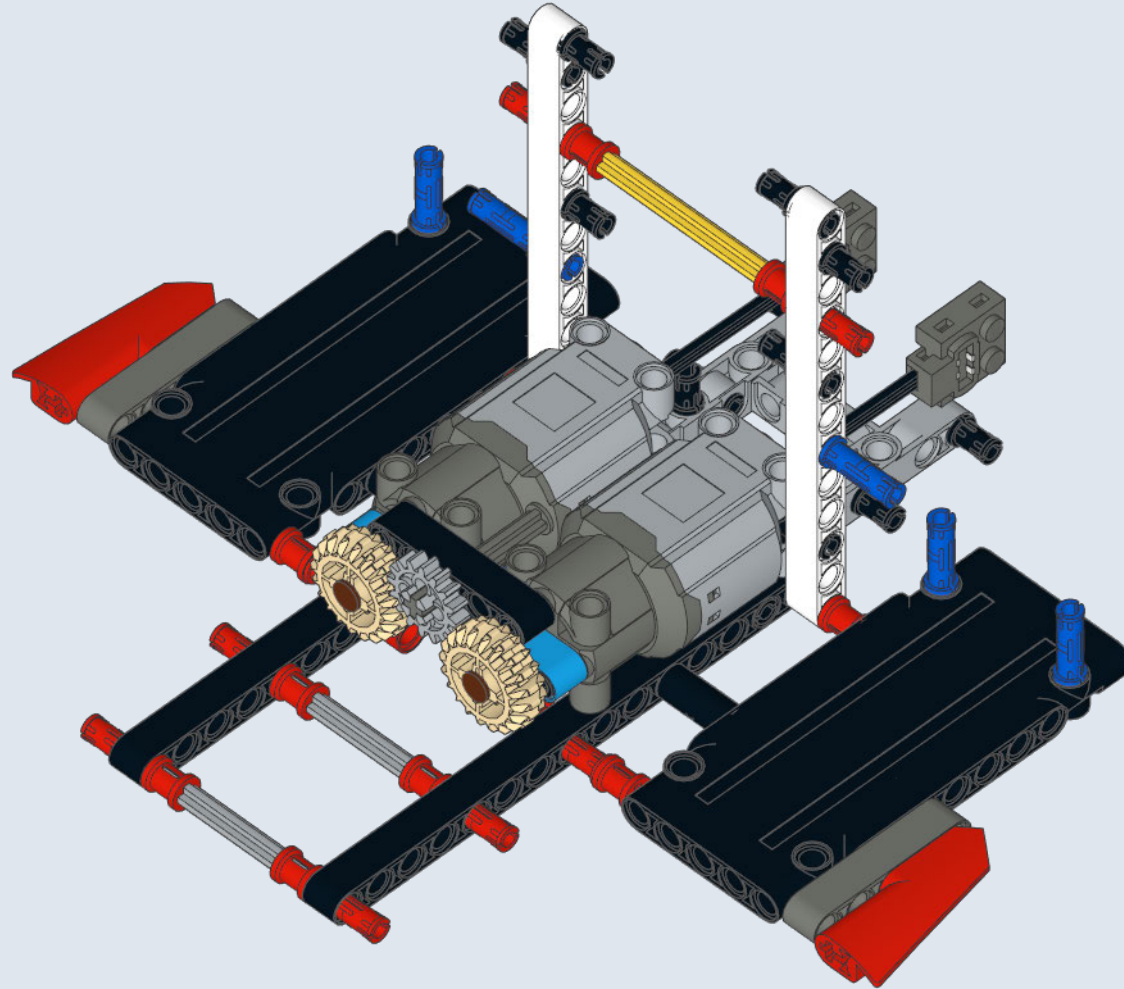
2



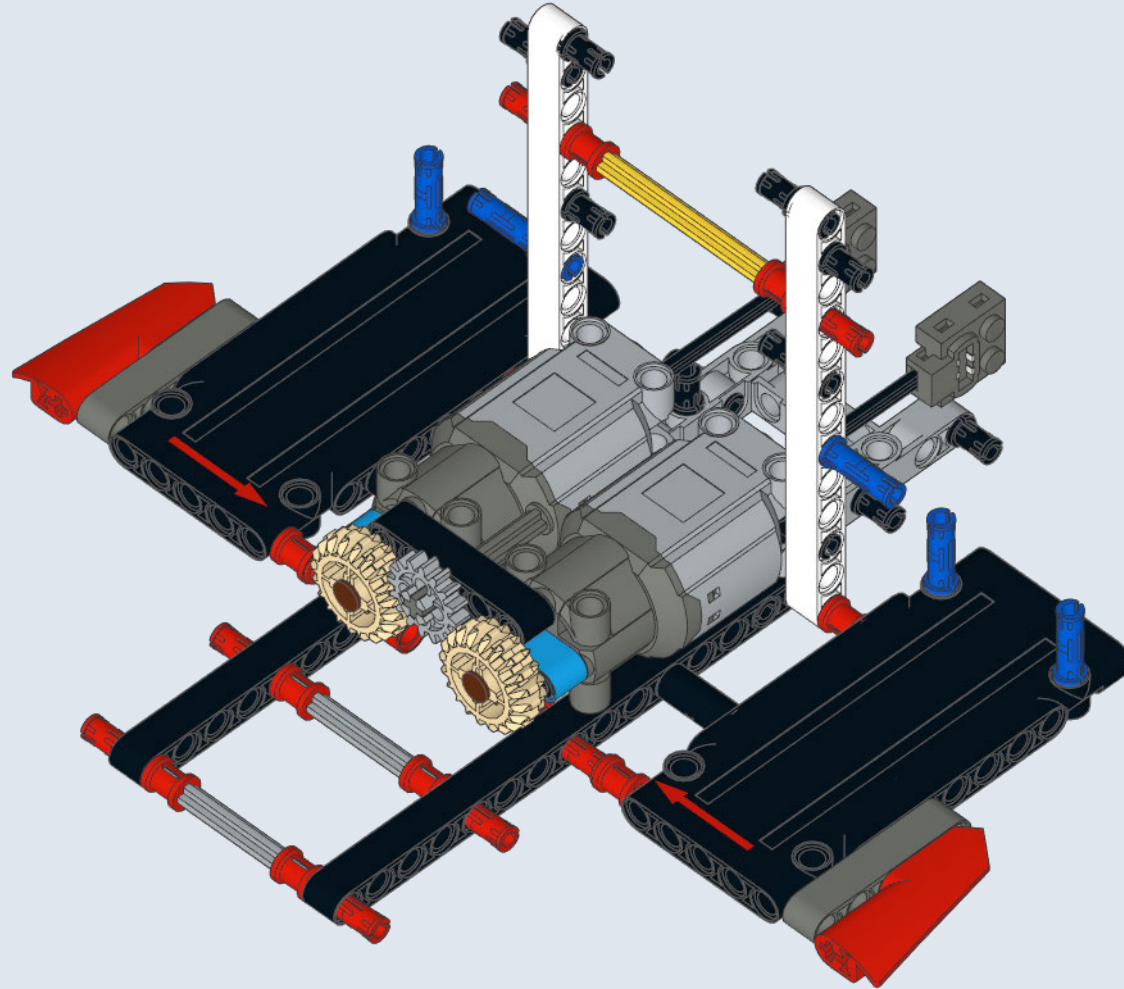
3



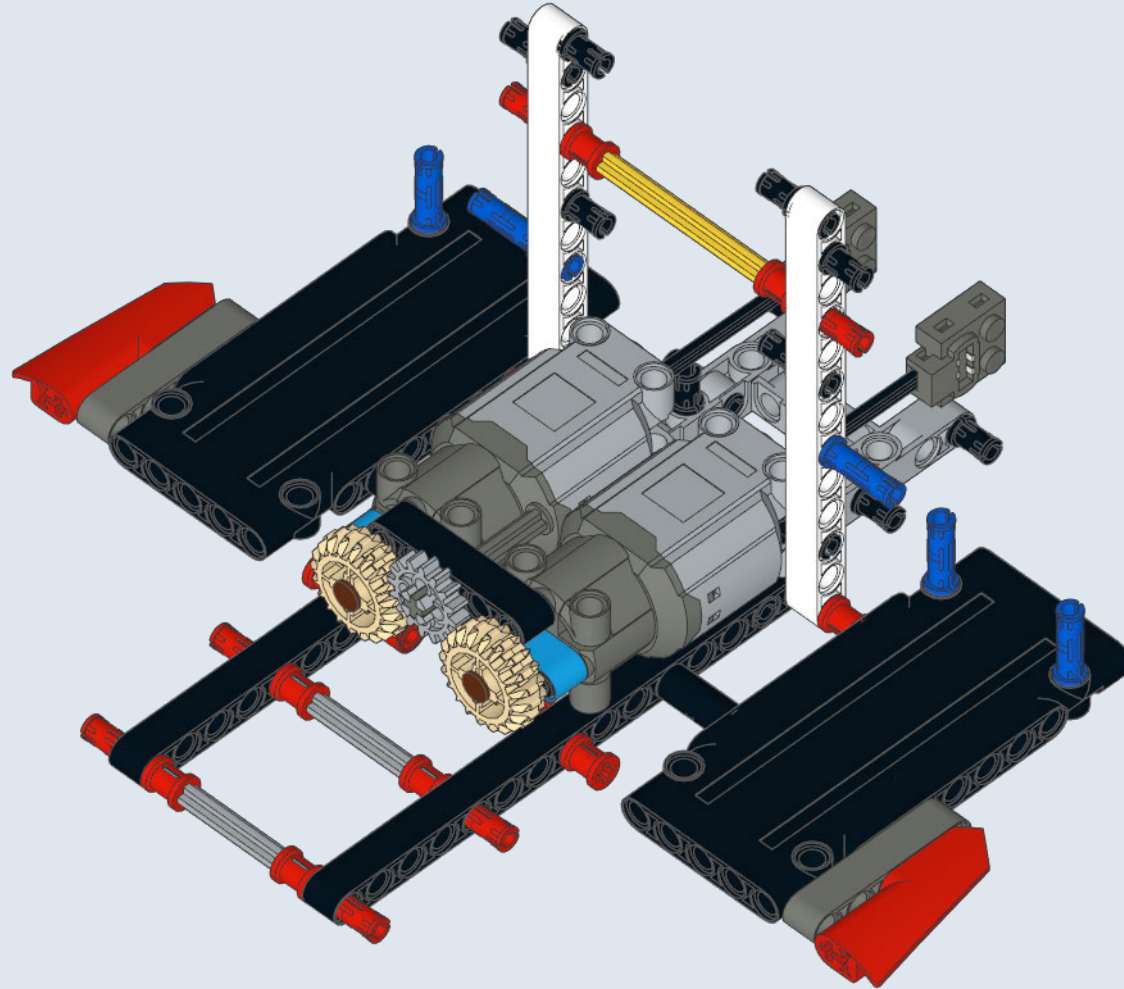
12.2



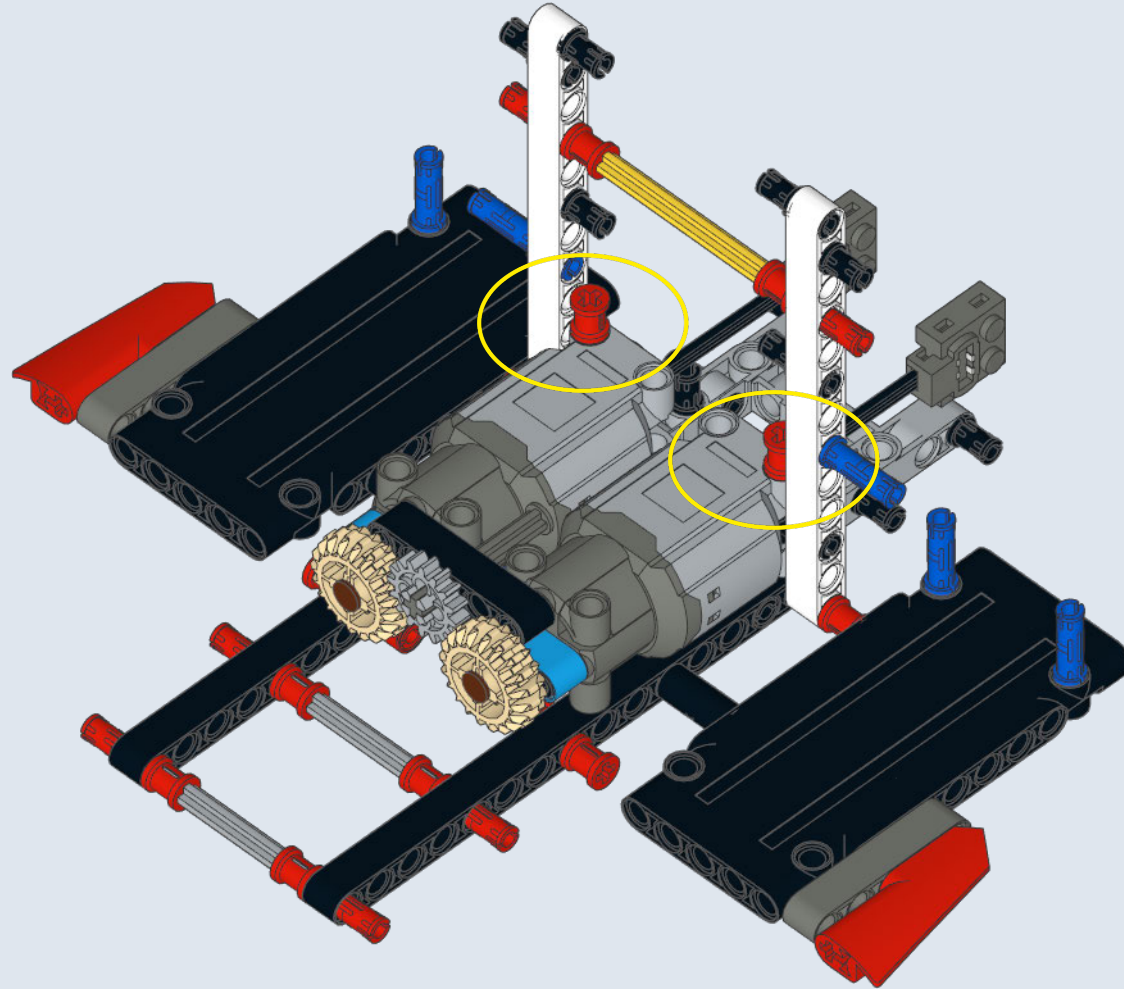
12.3



12.4



12.5

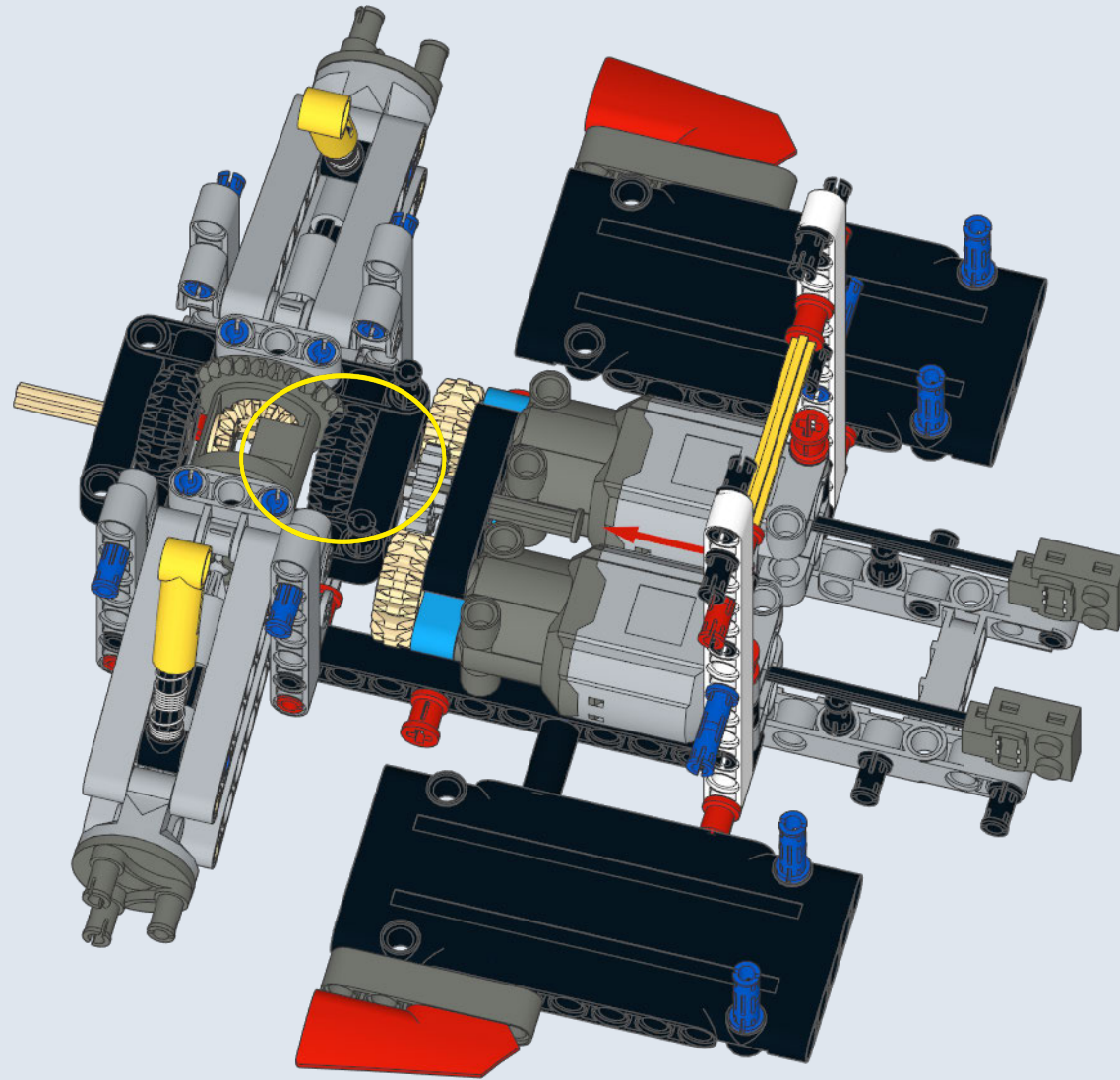


13-33

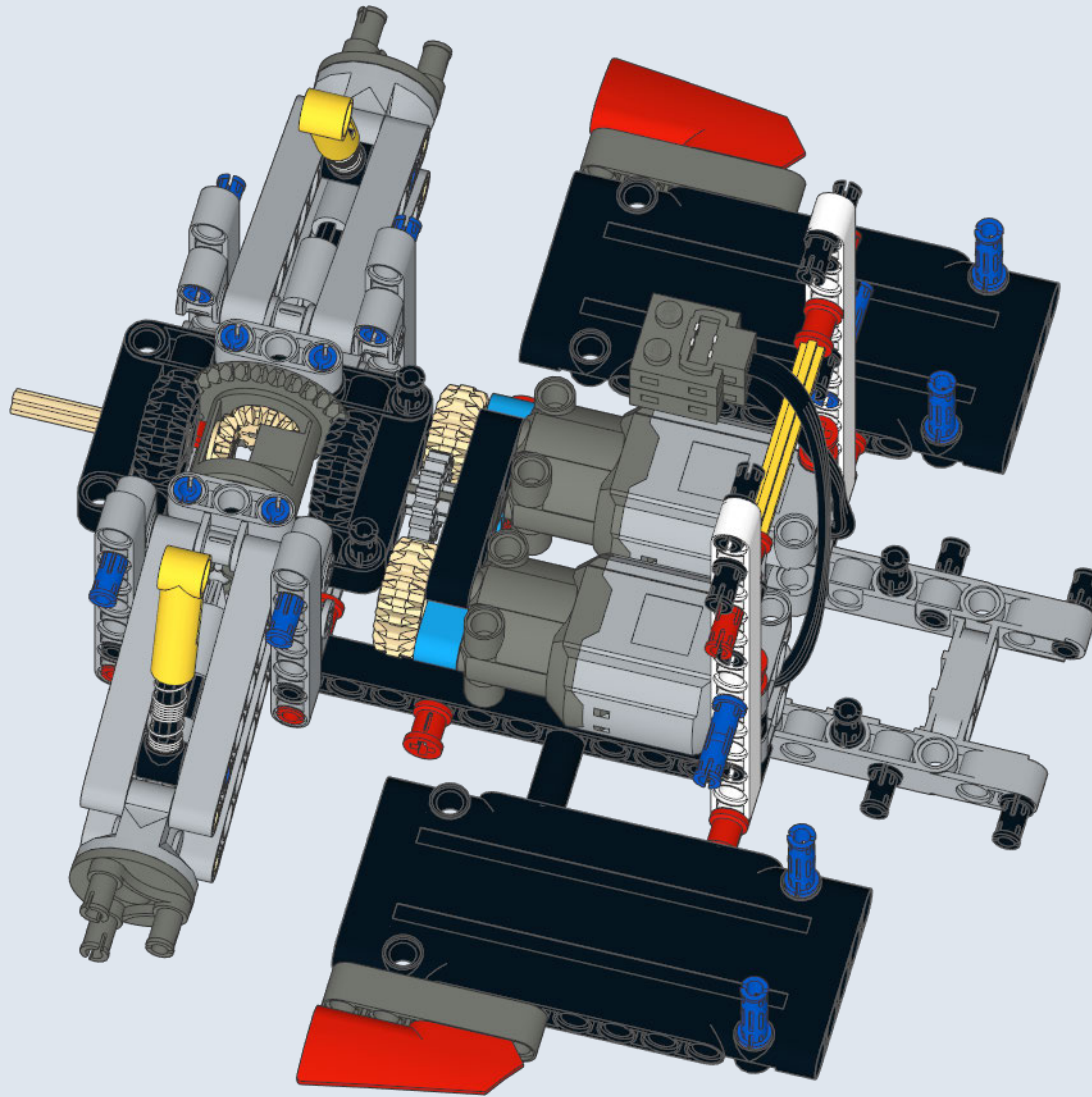
original steps



33.1



33.2

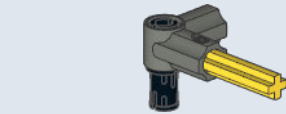
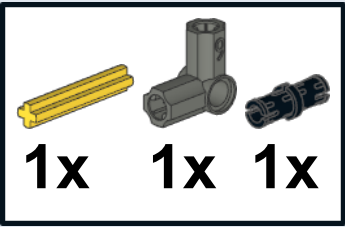


34-56

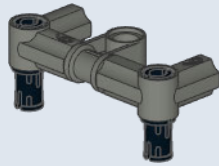
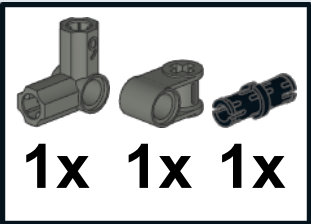
original steps



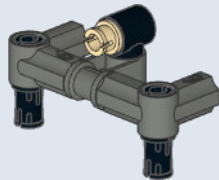
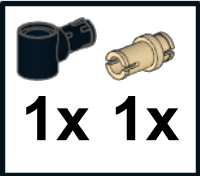
1



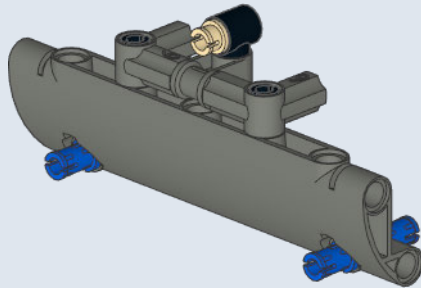
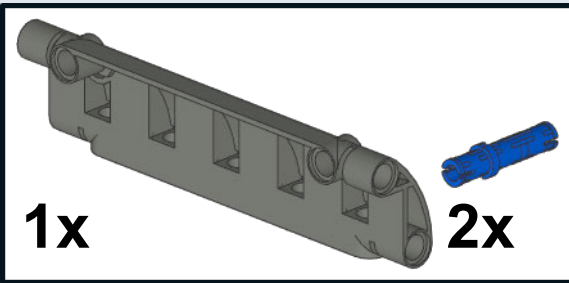
2



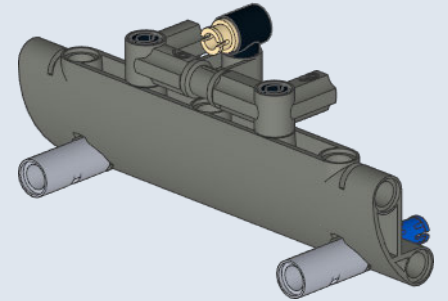
3



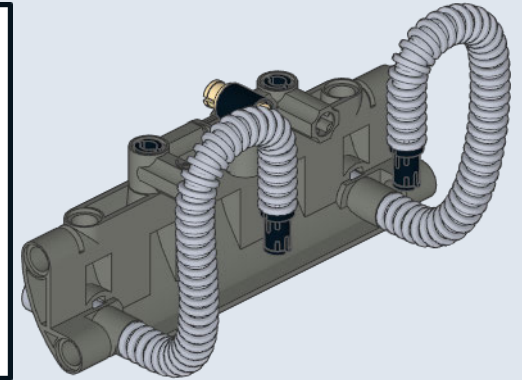
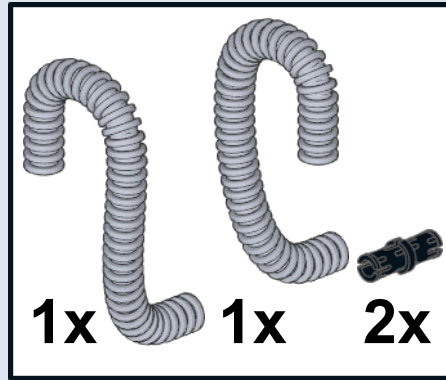
4



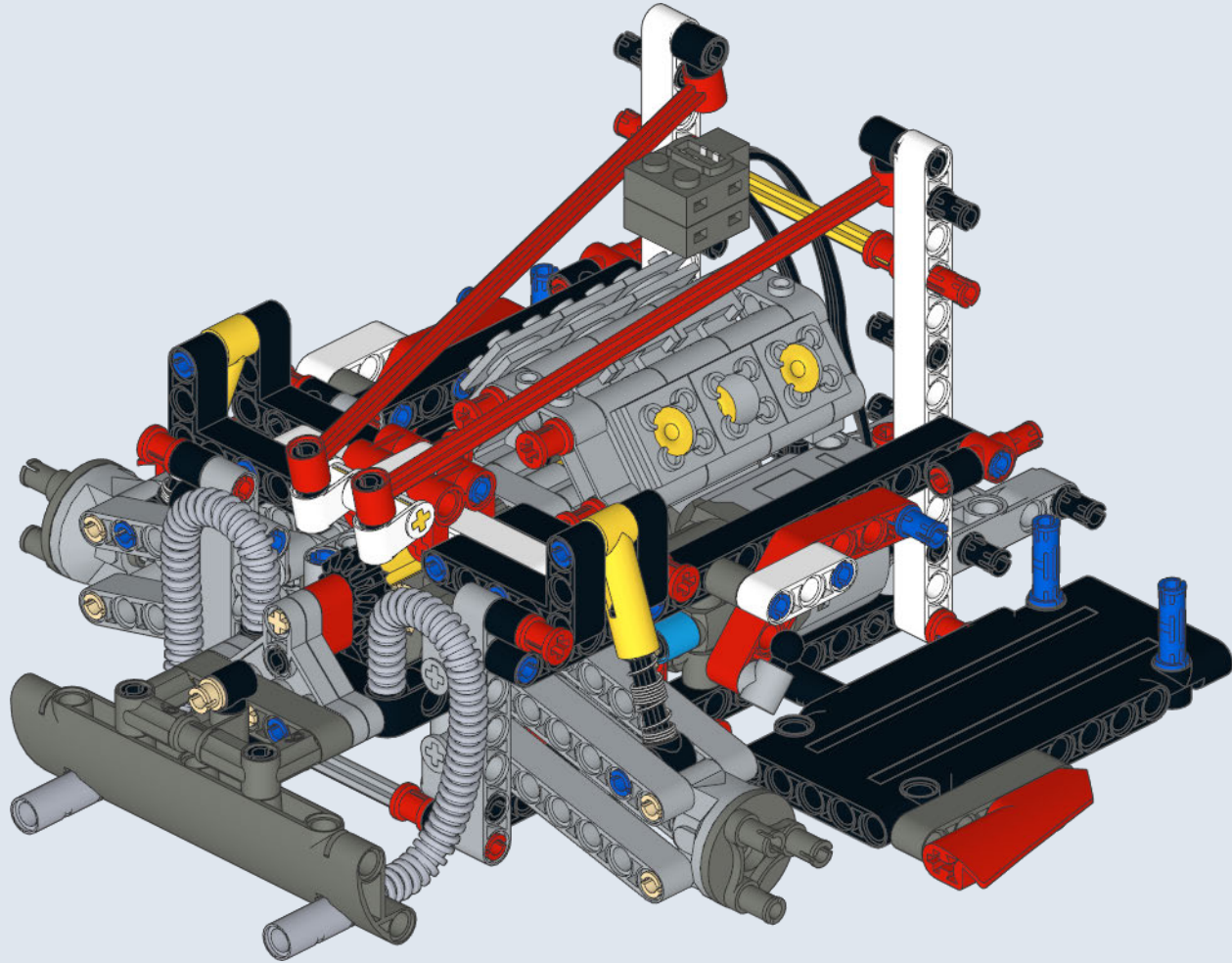
5



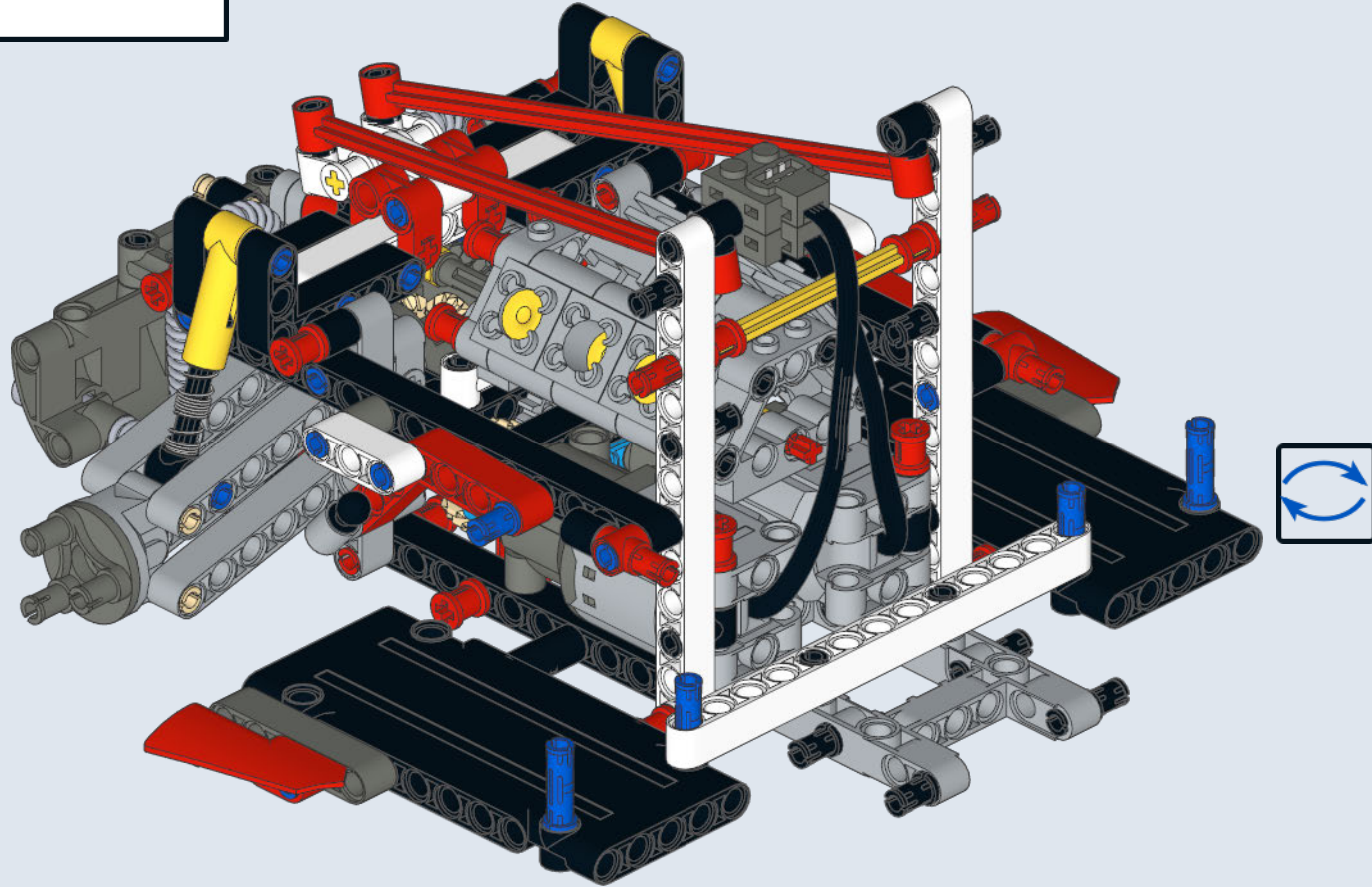
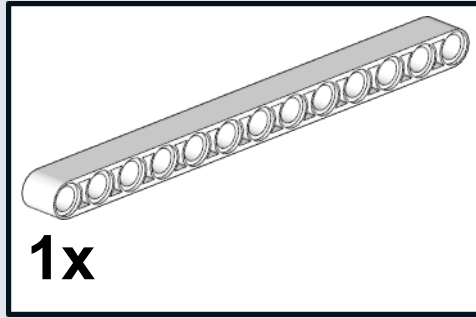
6



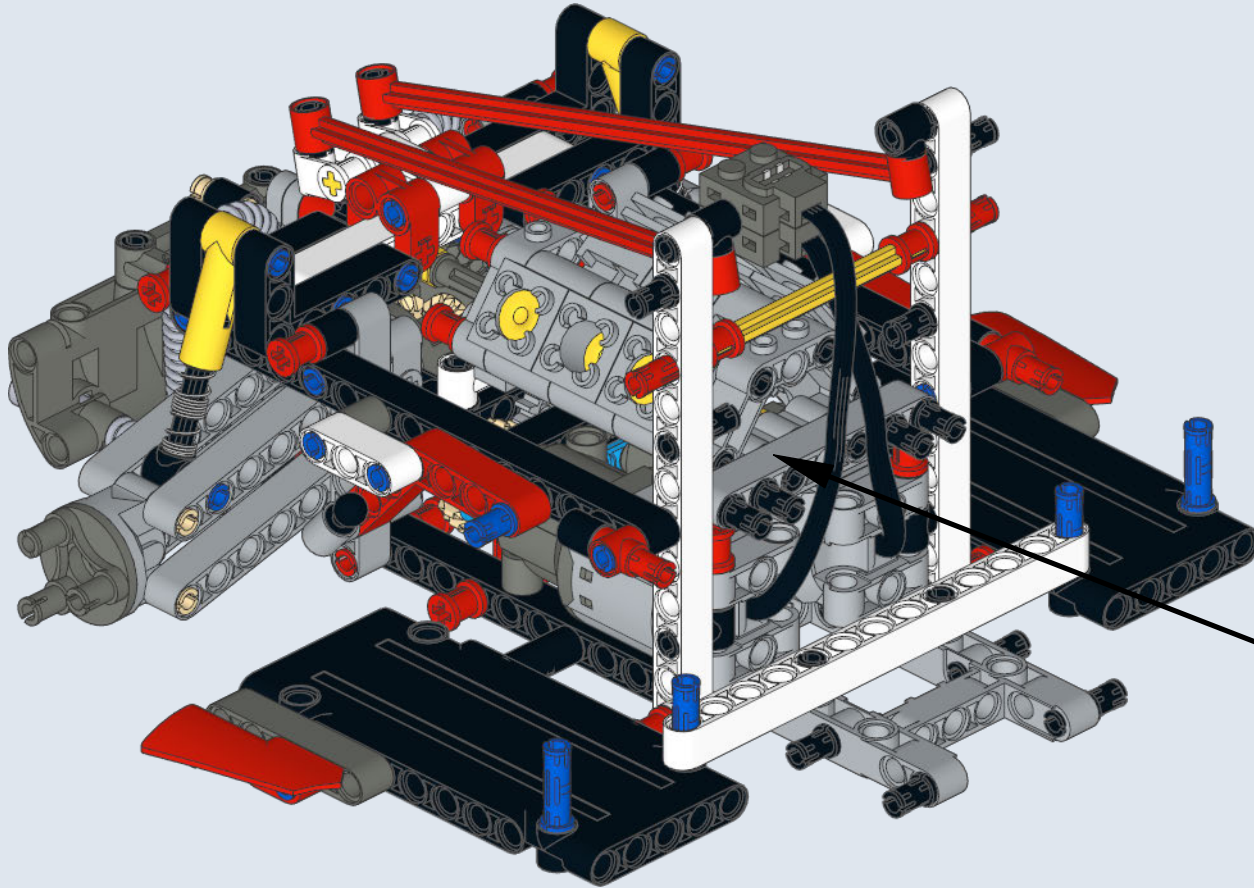
57.1



57.2



57.3




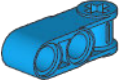
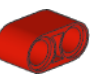
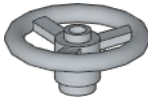

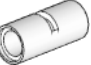
1x	6x

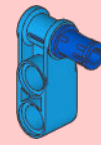
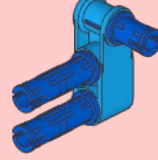
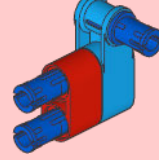
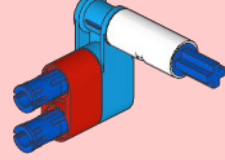
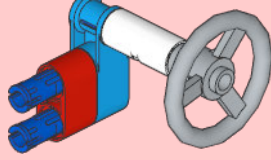


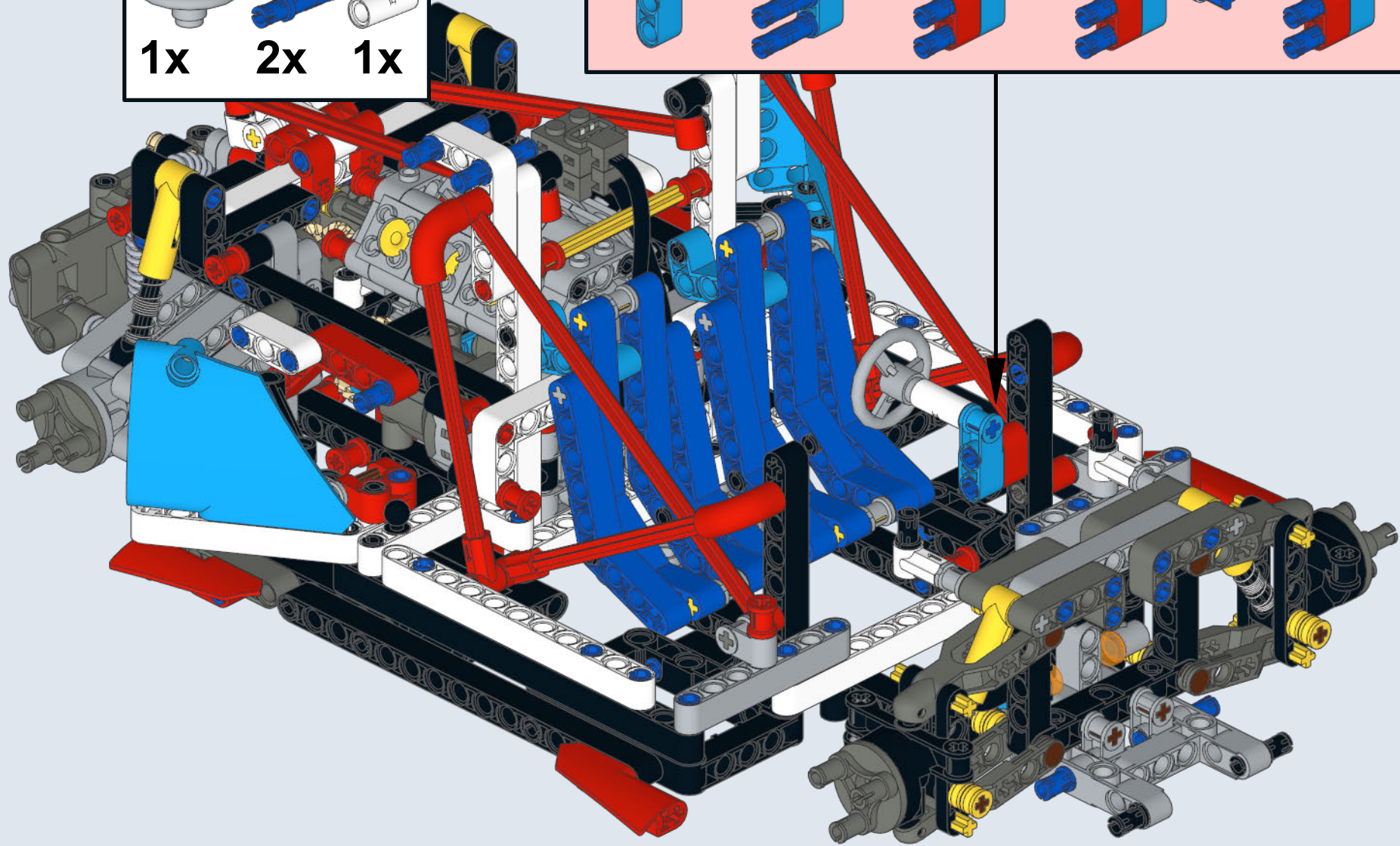
**68-87 original steps
skip 88
89-114 original steps**



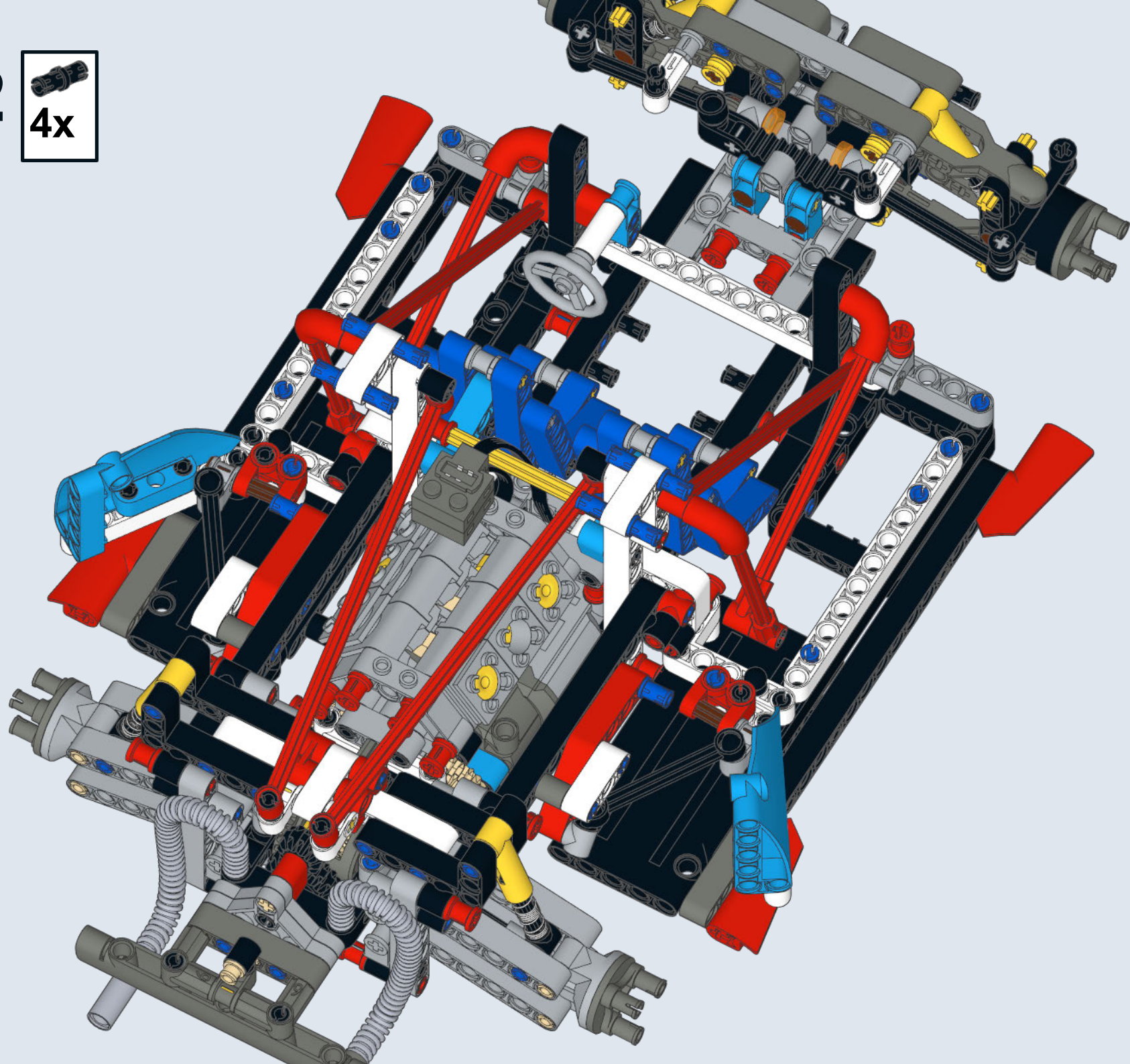
115.1

		
2x	1x	1x
		
1x	2x	1x

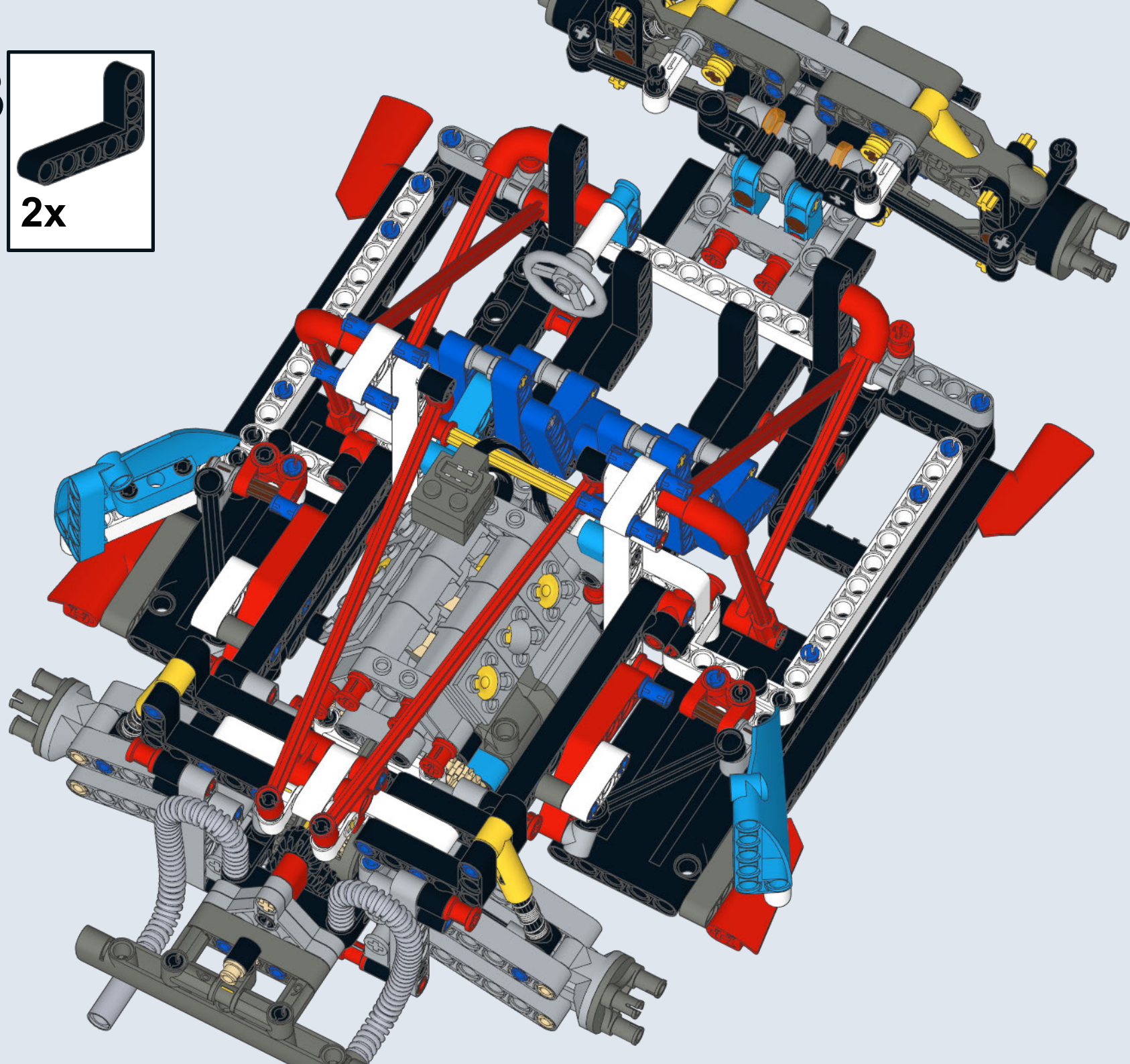
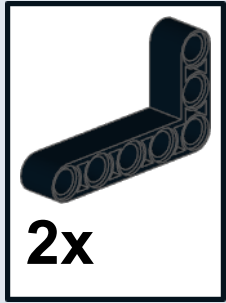
1	2	3	4	5
				



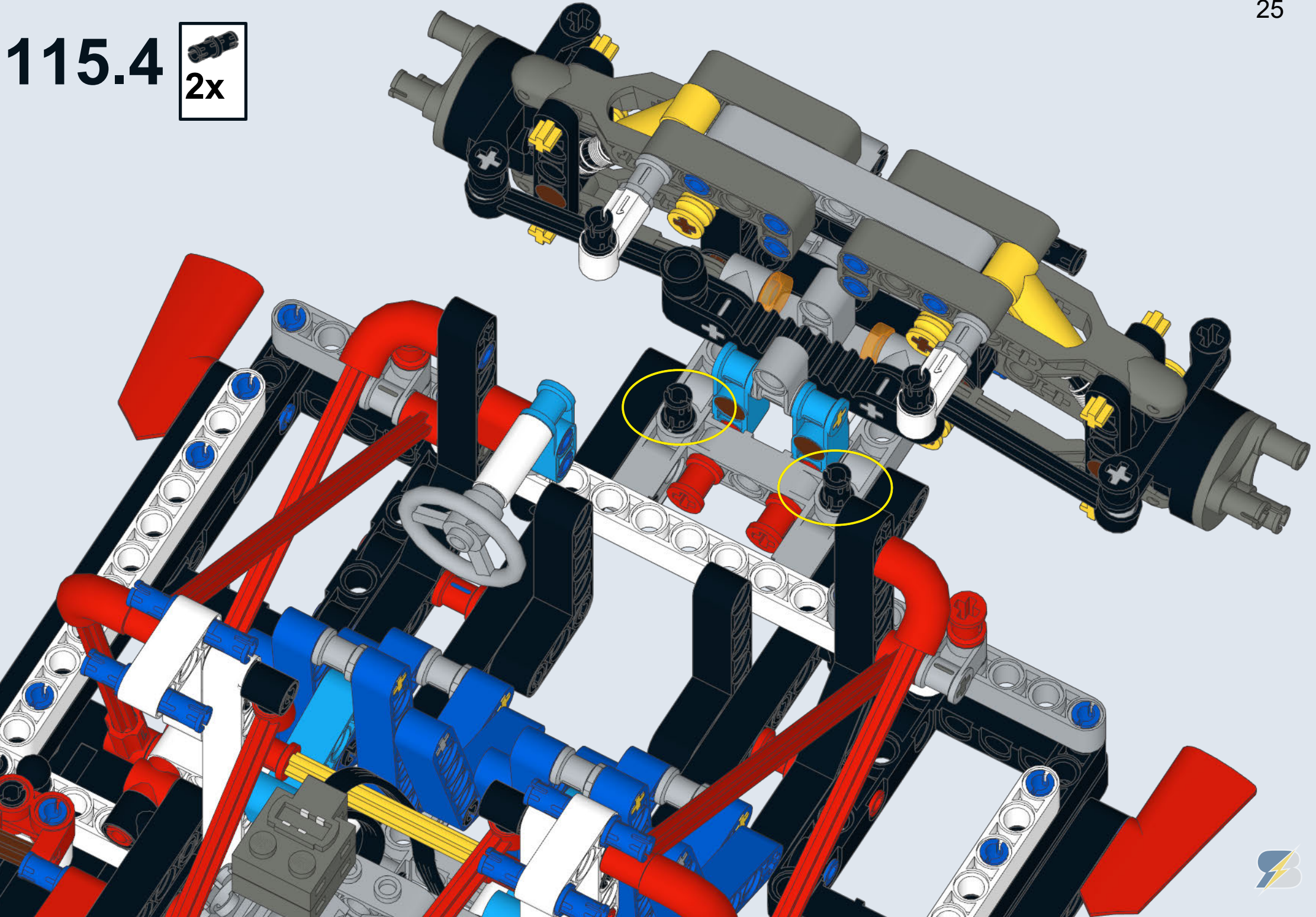
115.2



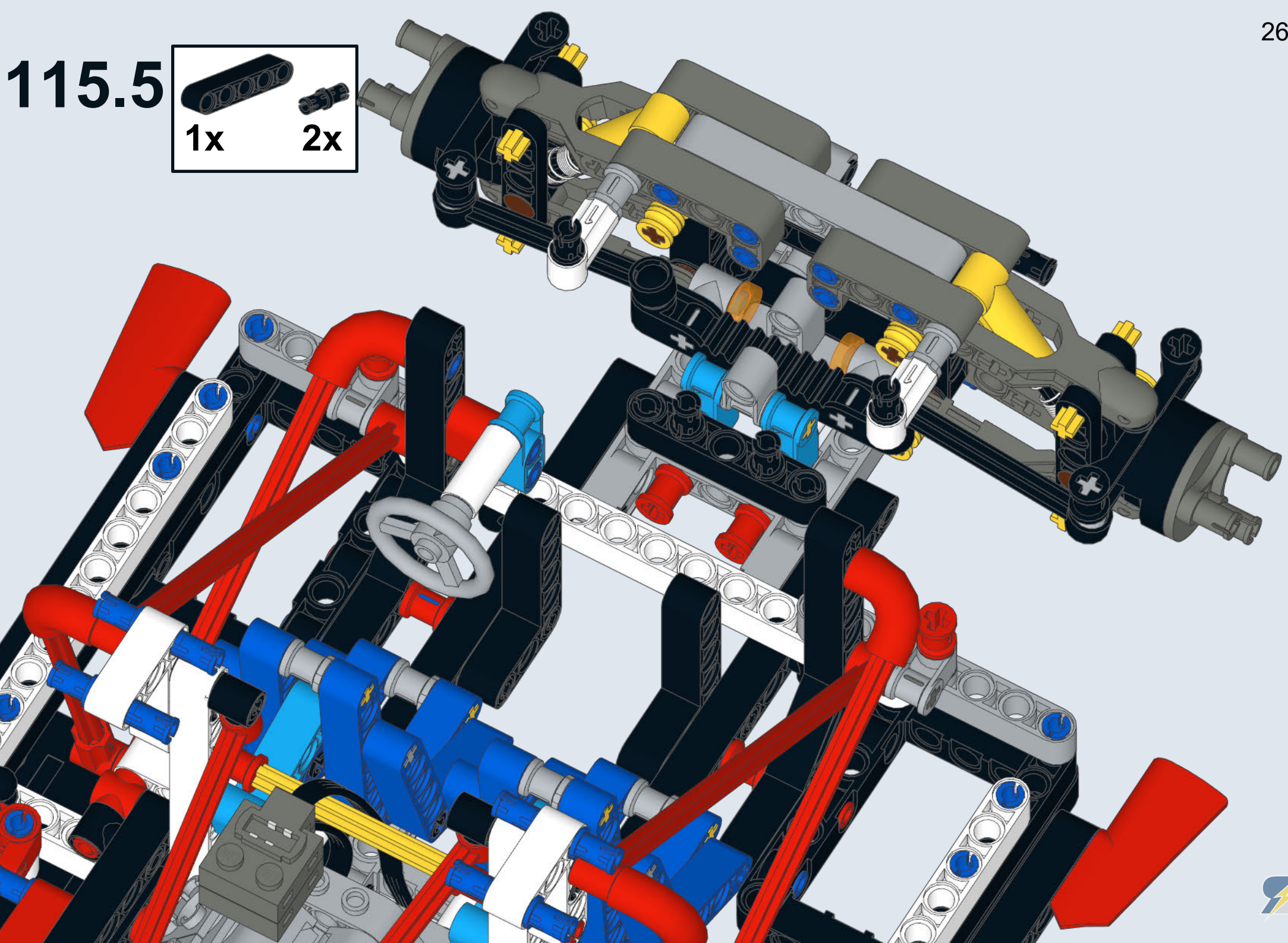
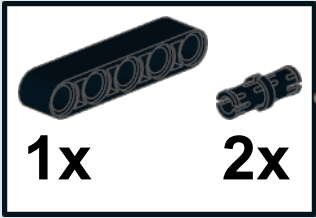
115.3





115.4

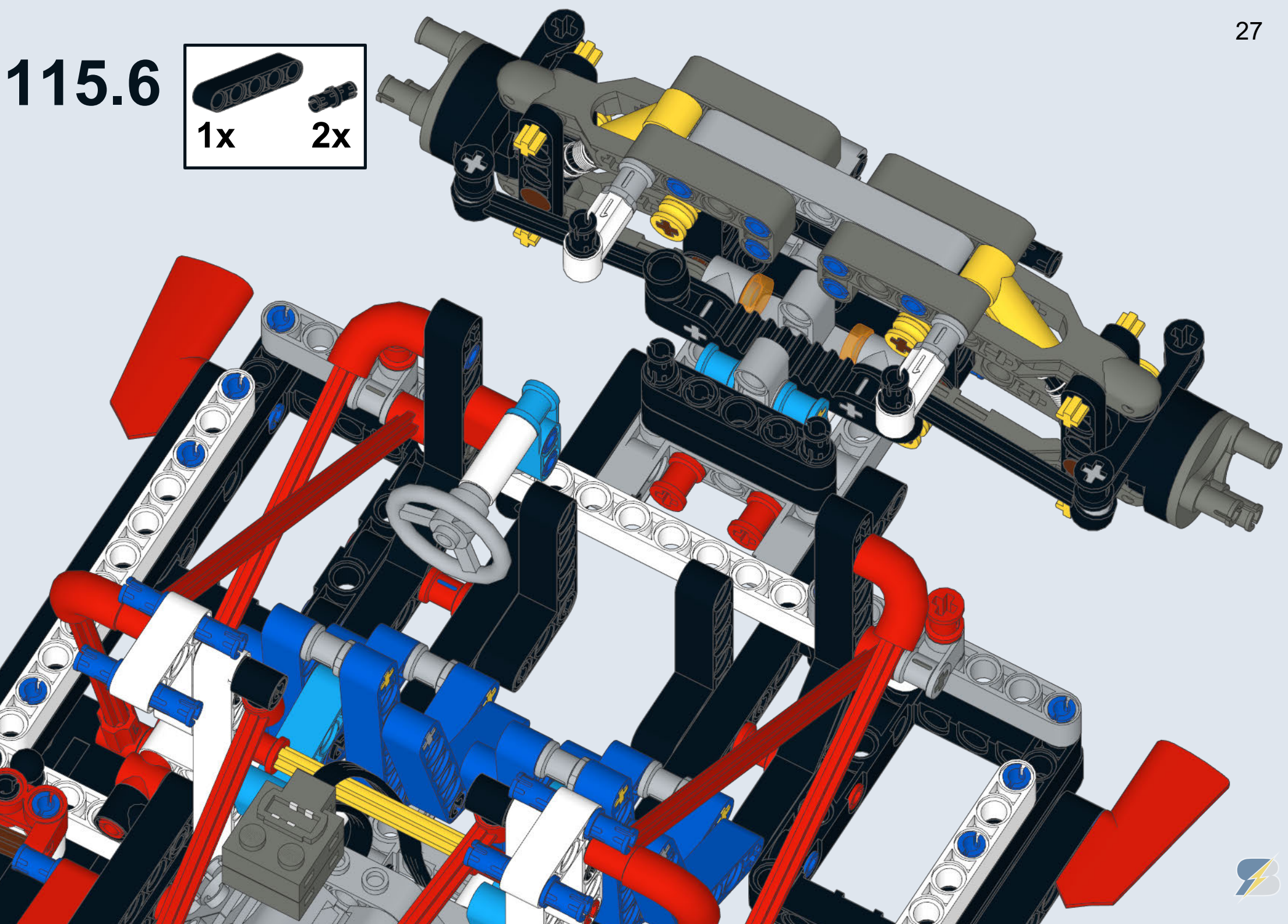


115.5

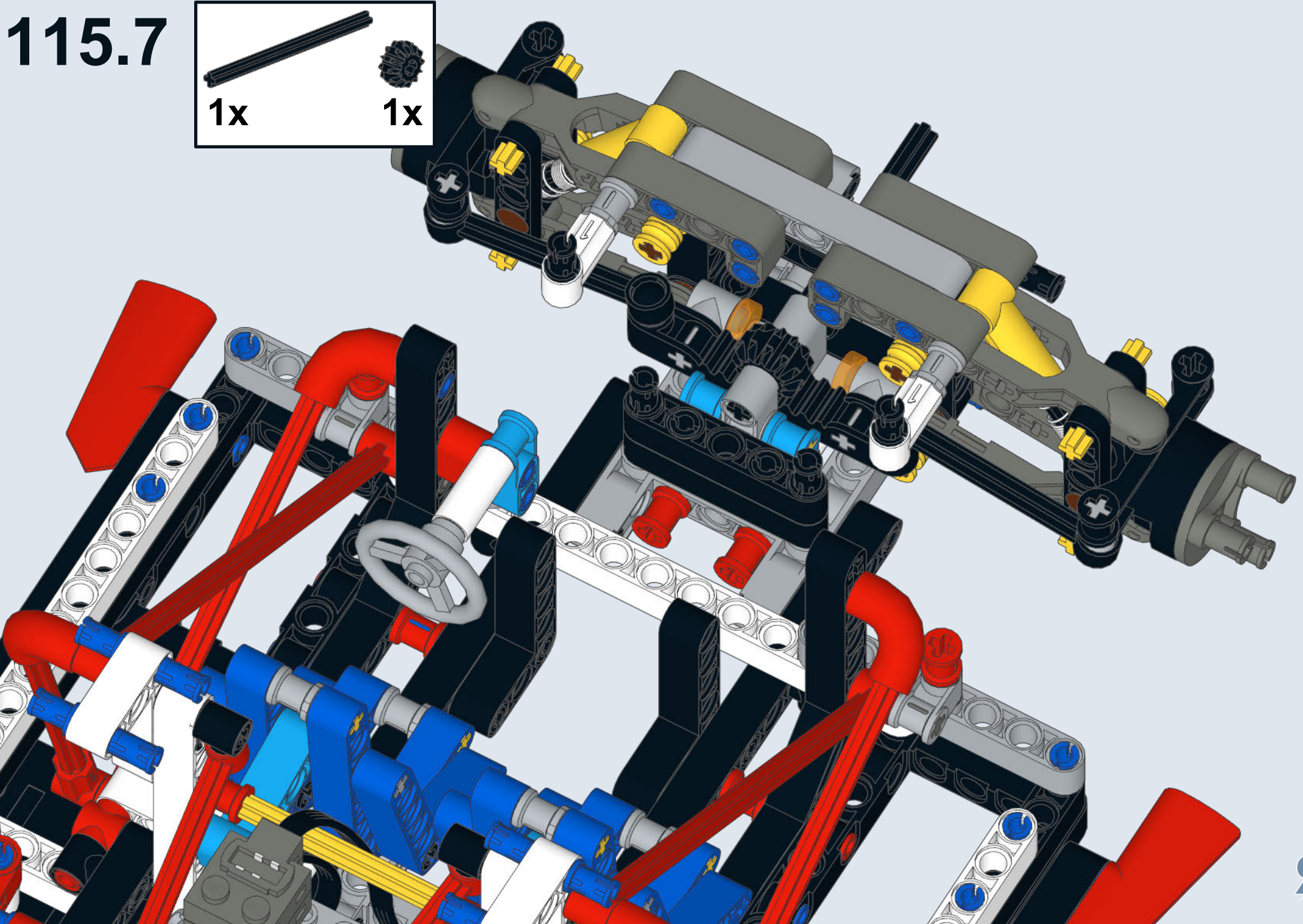
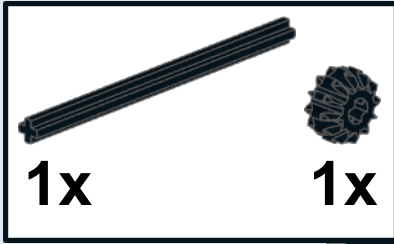


115.6

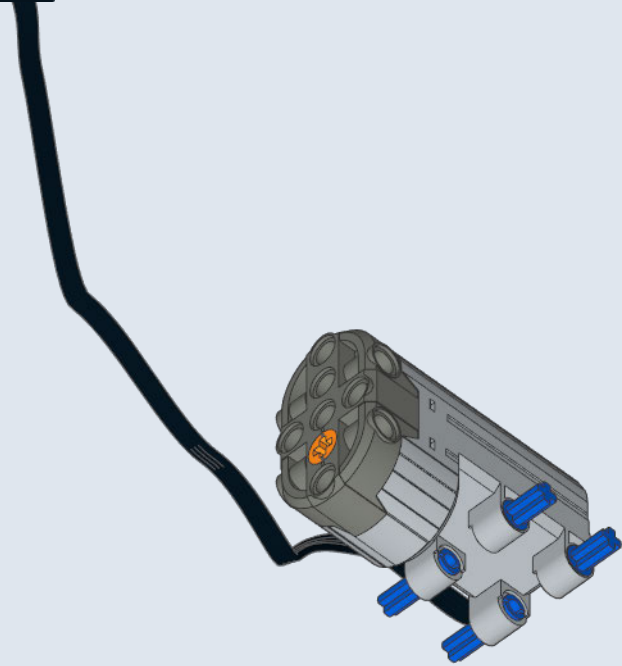
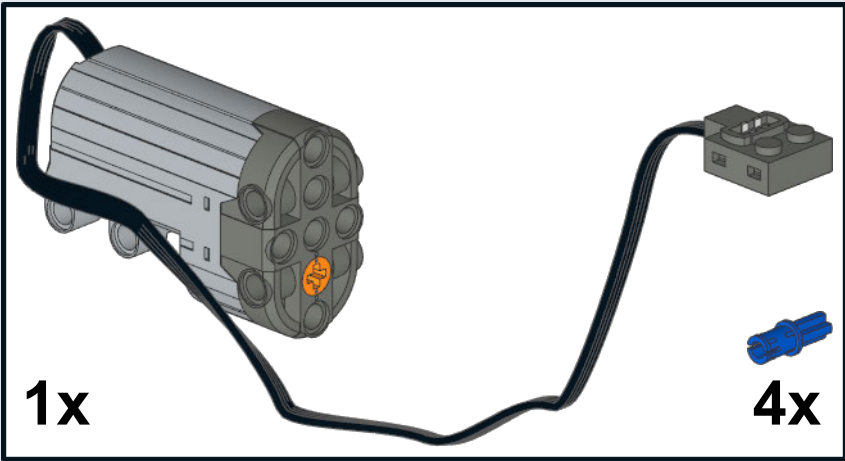
	
1x	2x



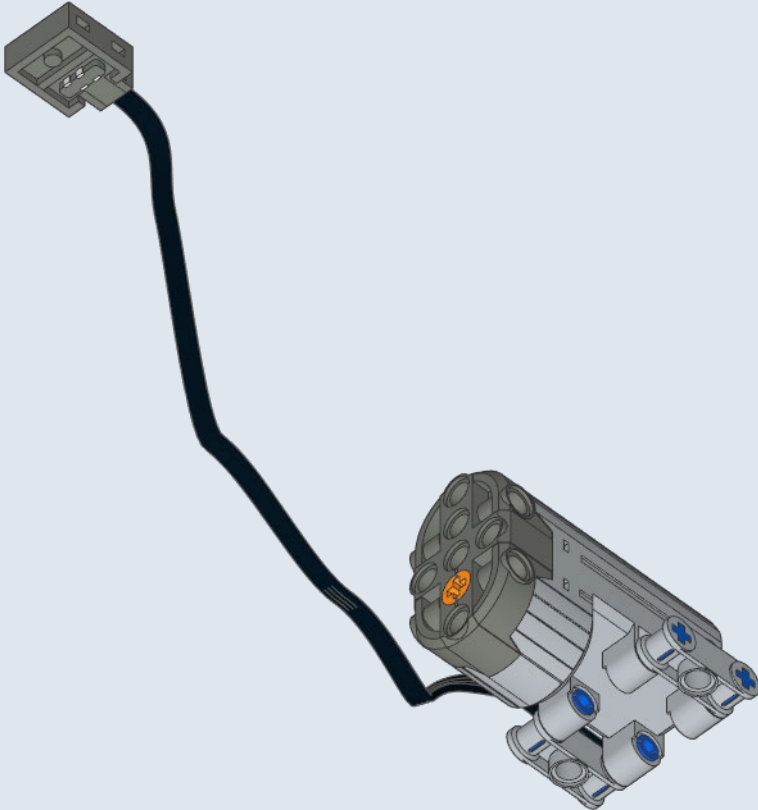
115.7



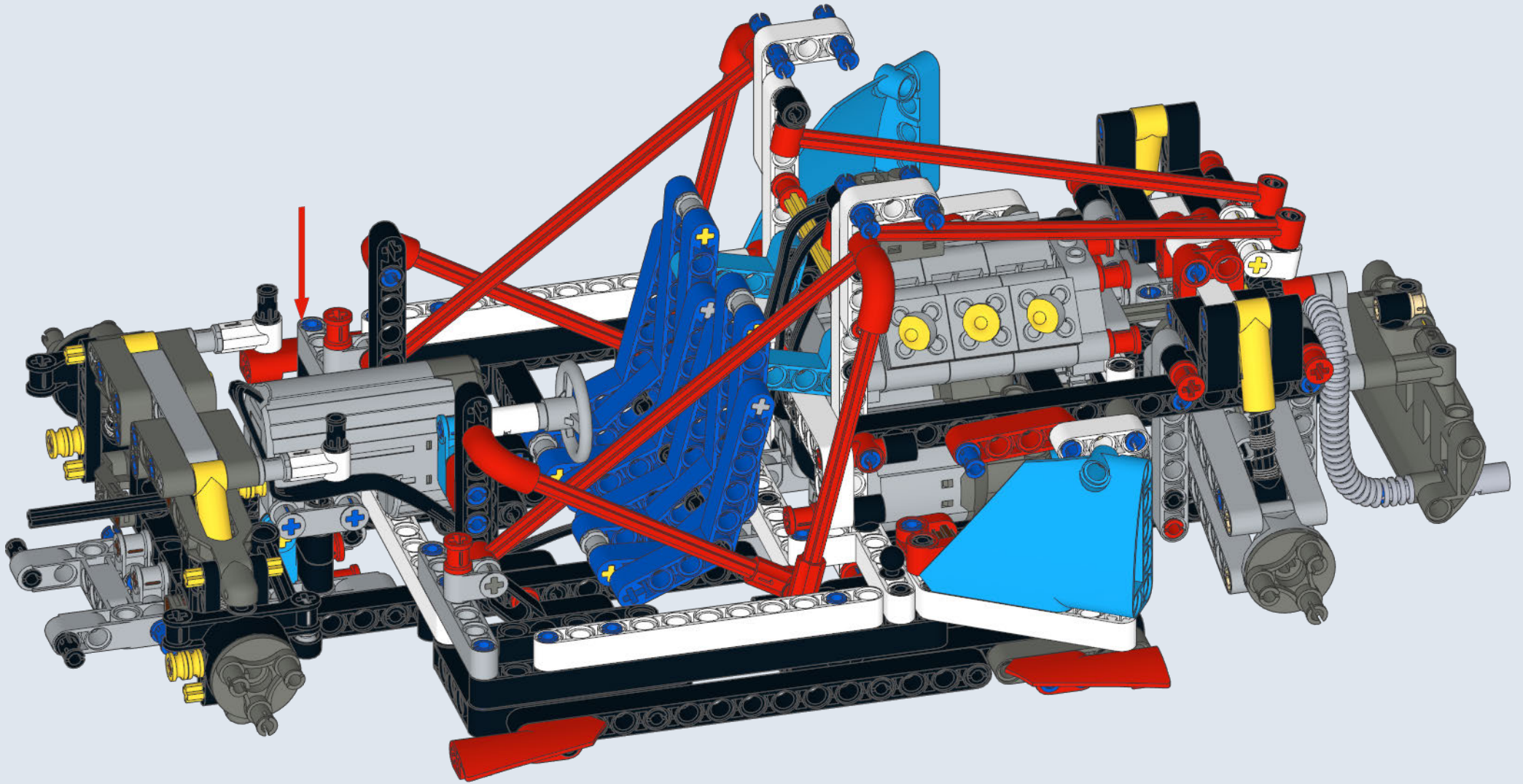
1



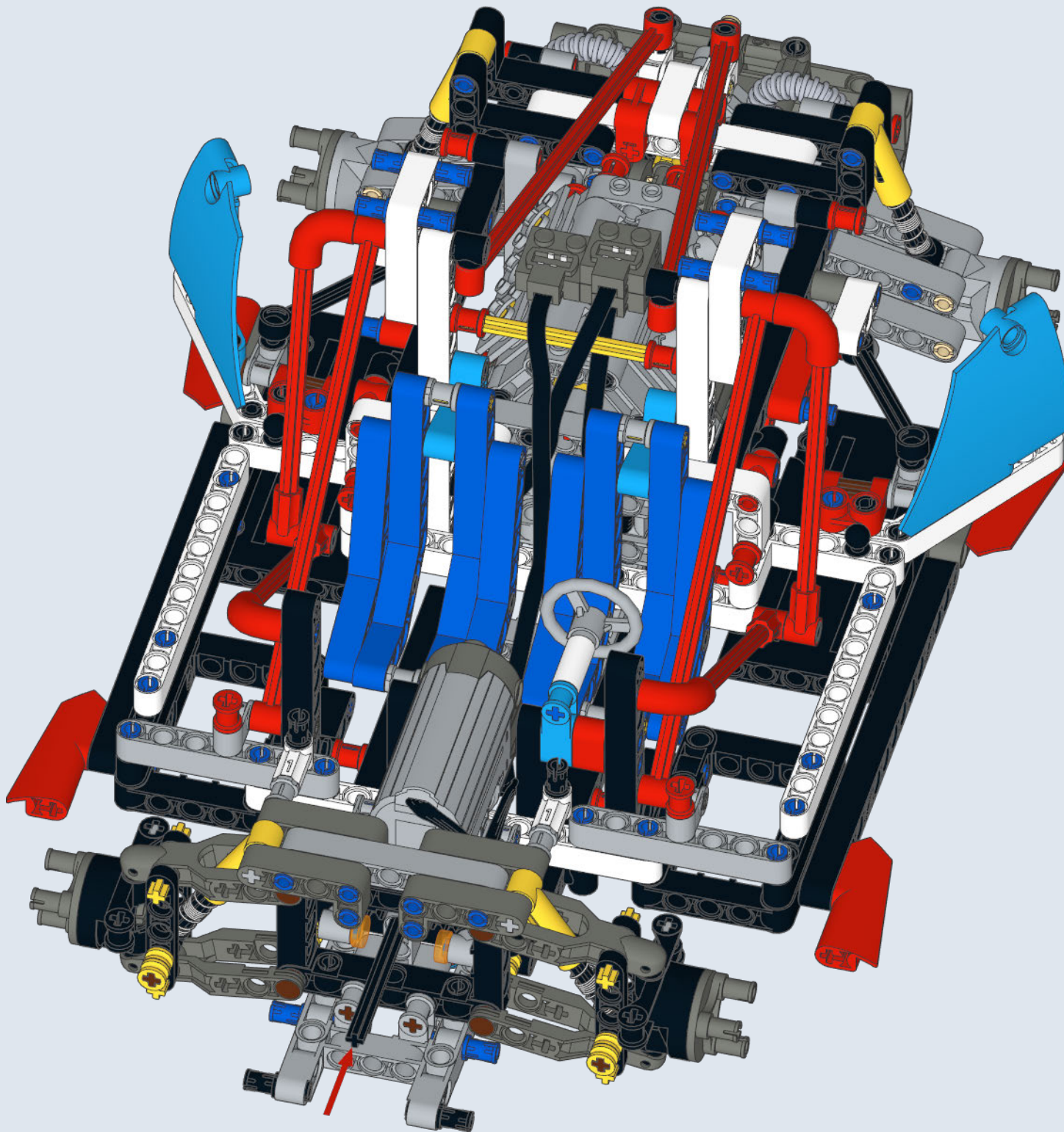
2
2x



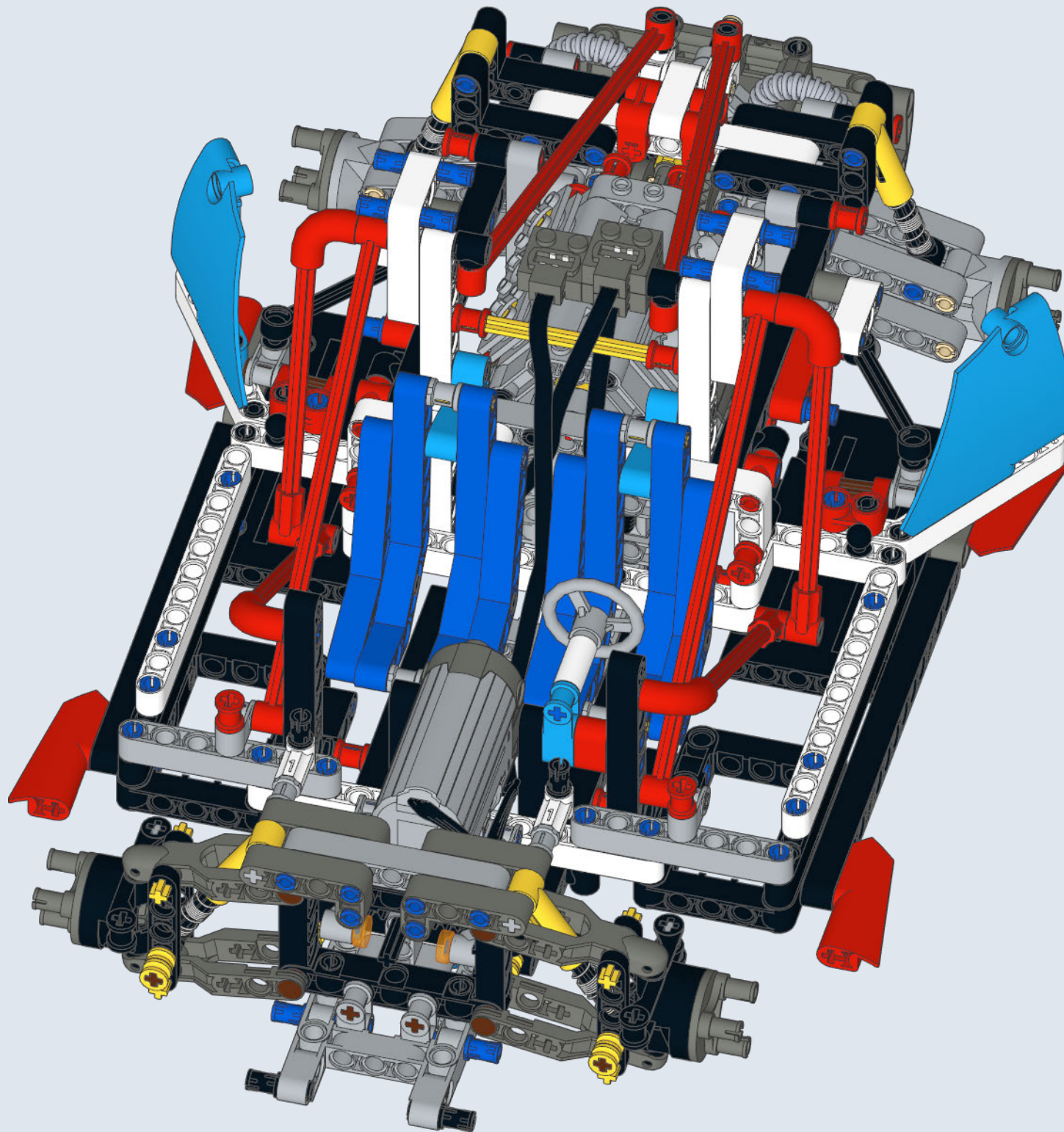
116.1



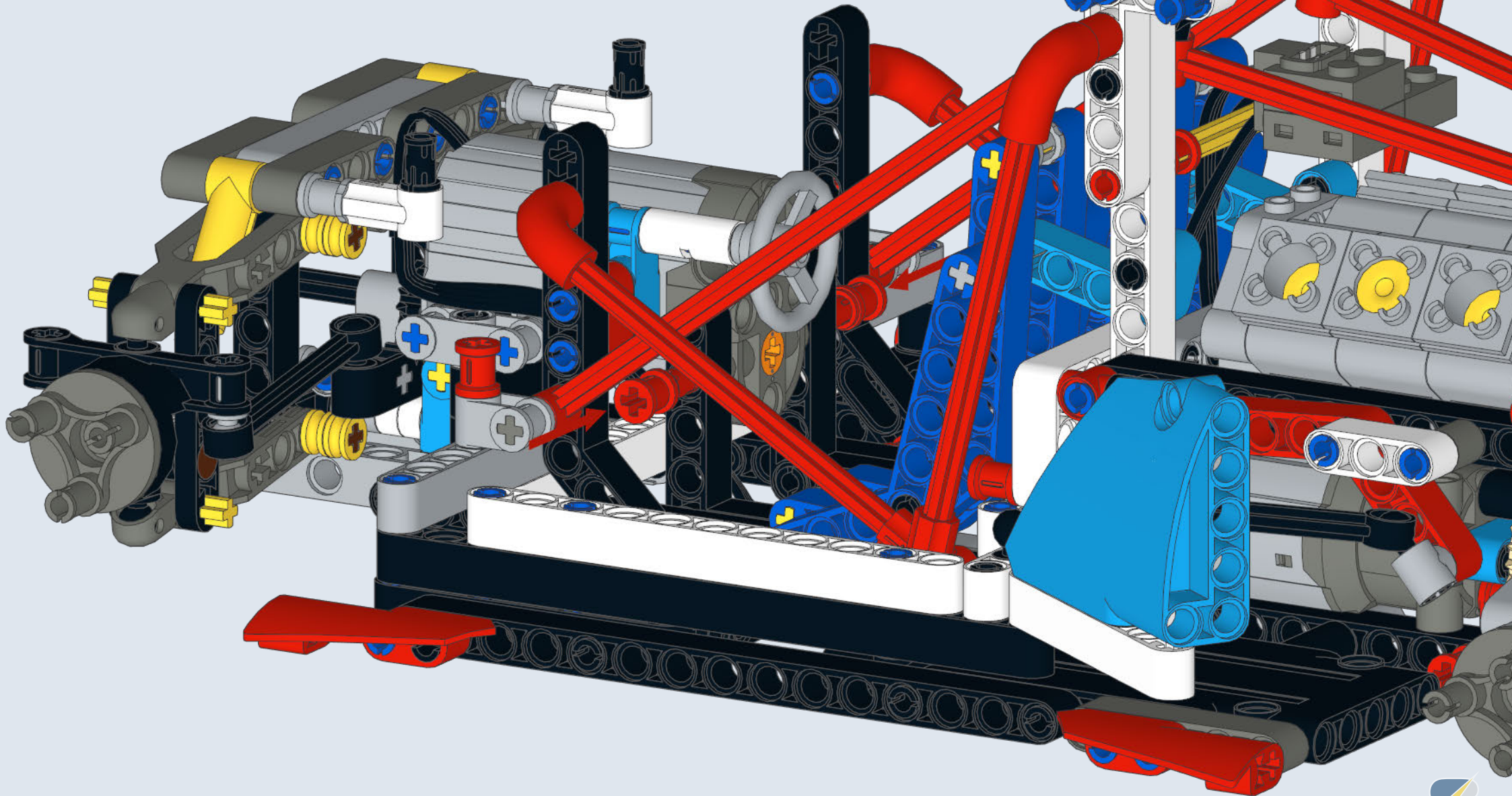
116.2



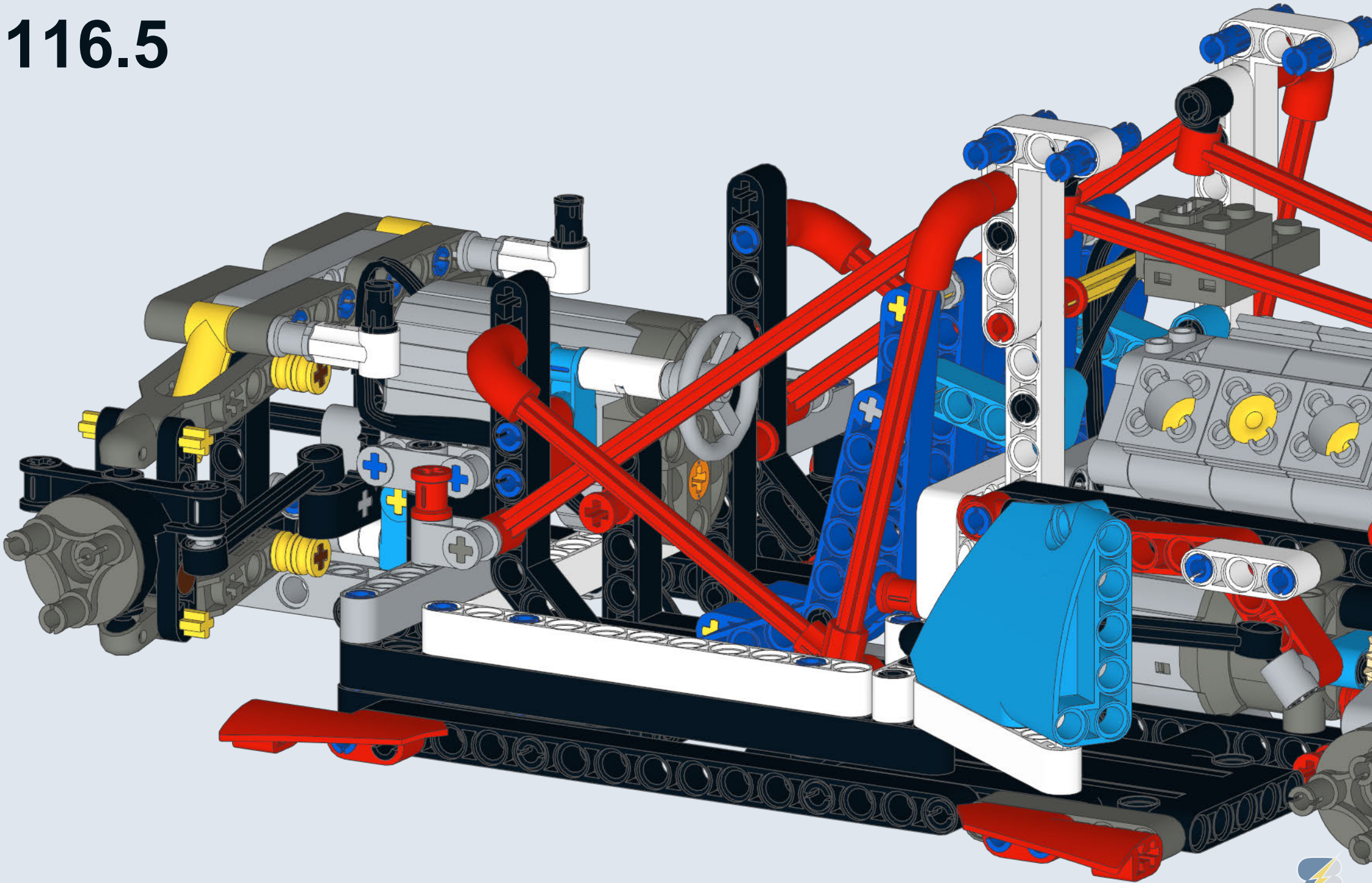
116.3



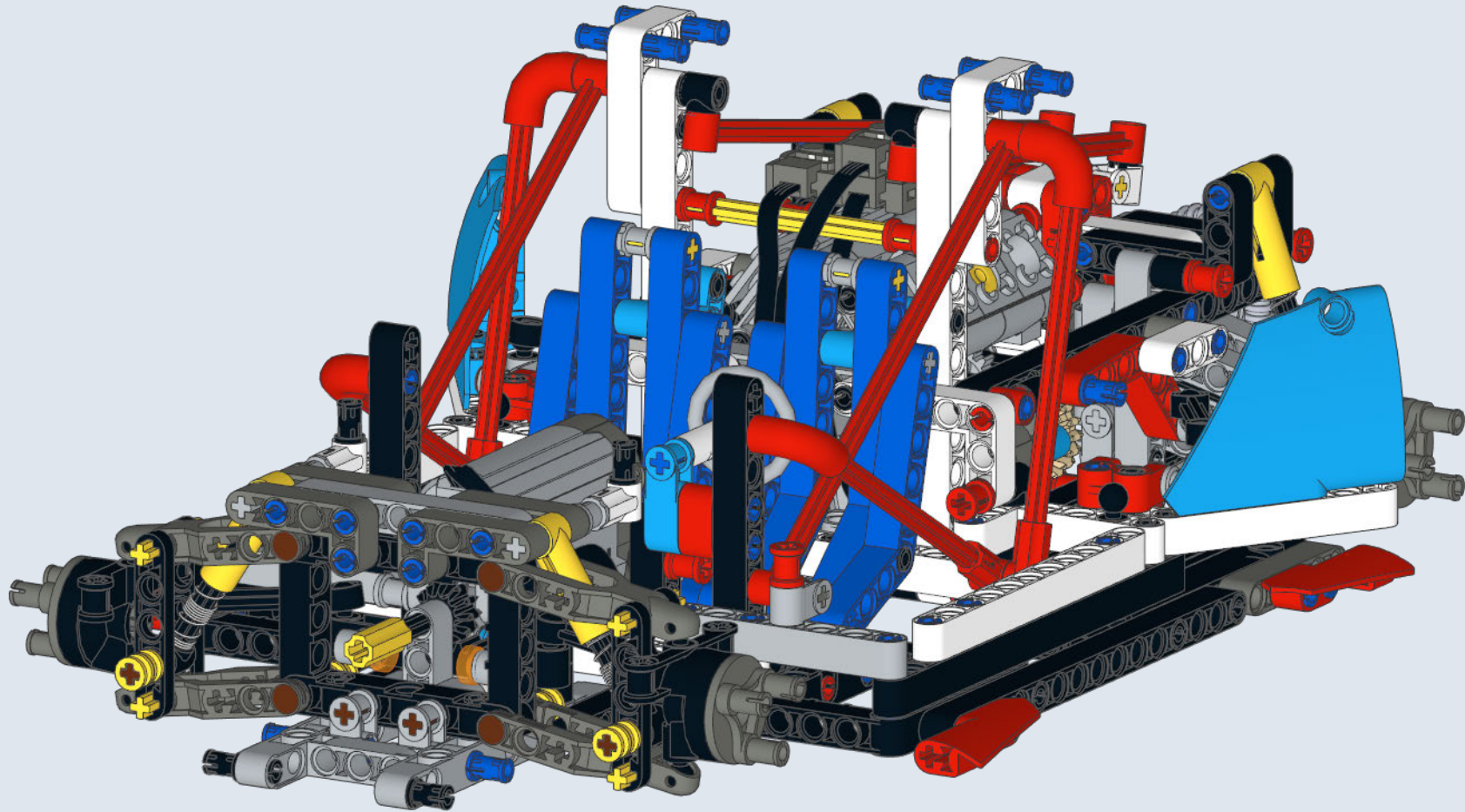
116.4








116.5

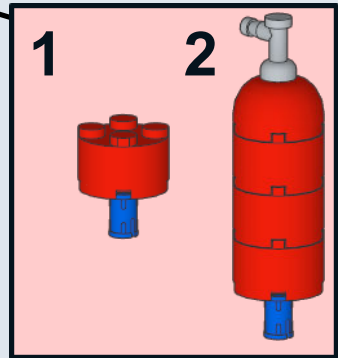
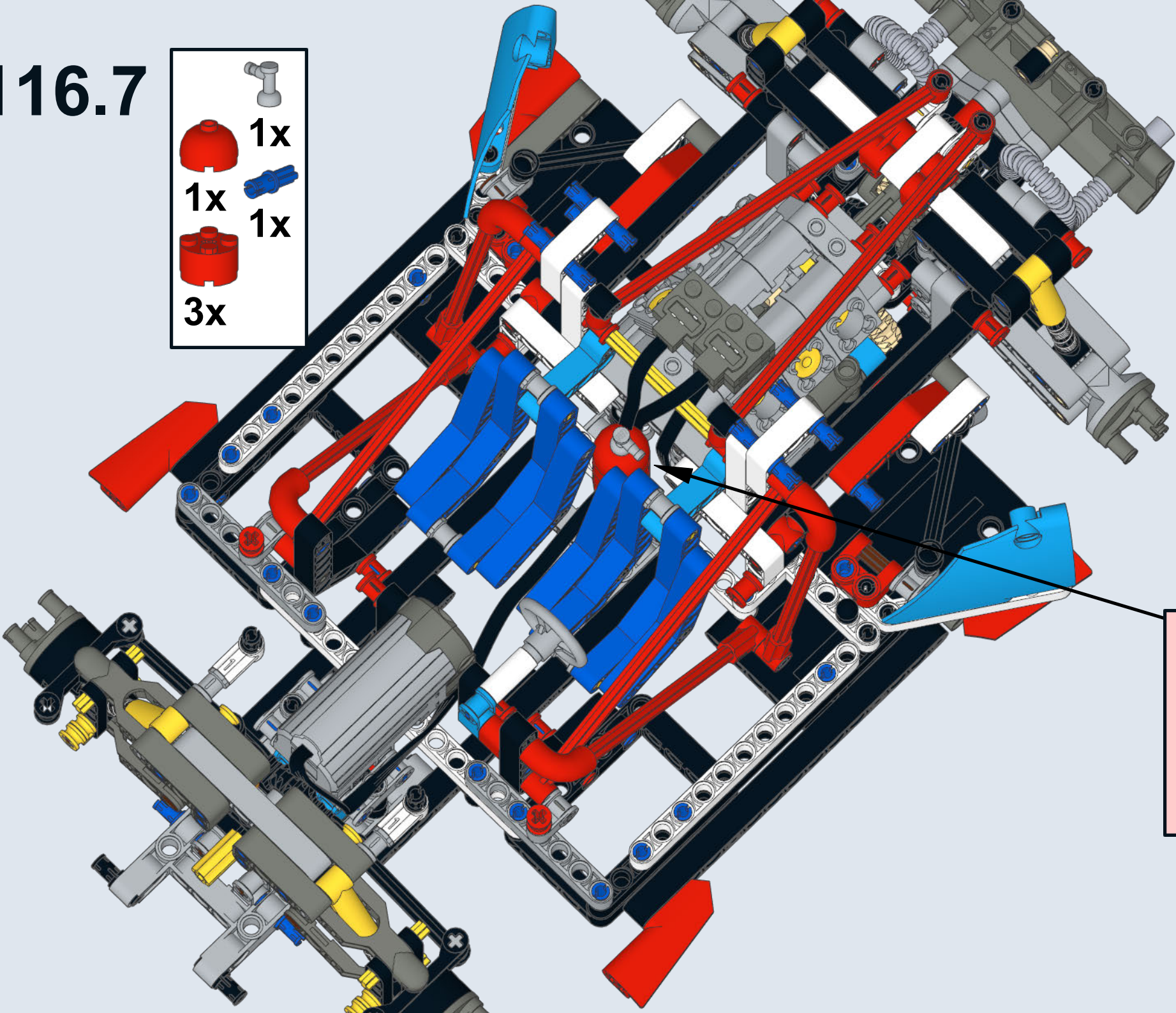


116.6



116.7

-  1x
-  1x
-  1x
-  1x
-  3x

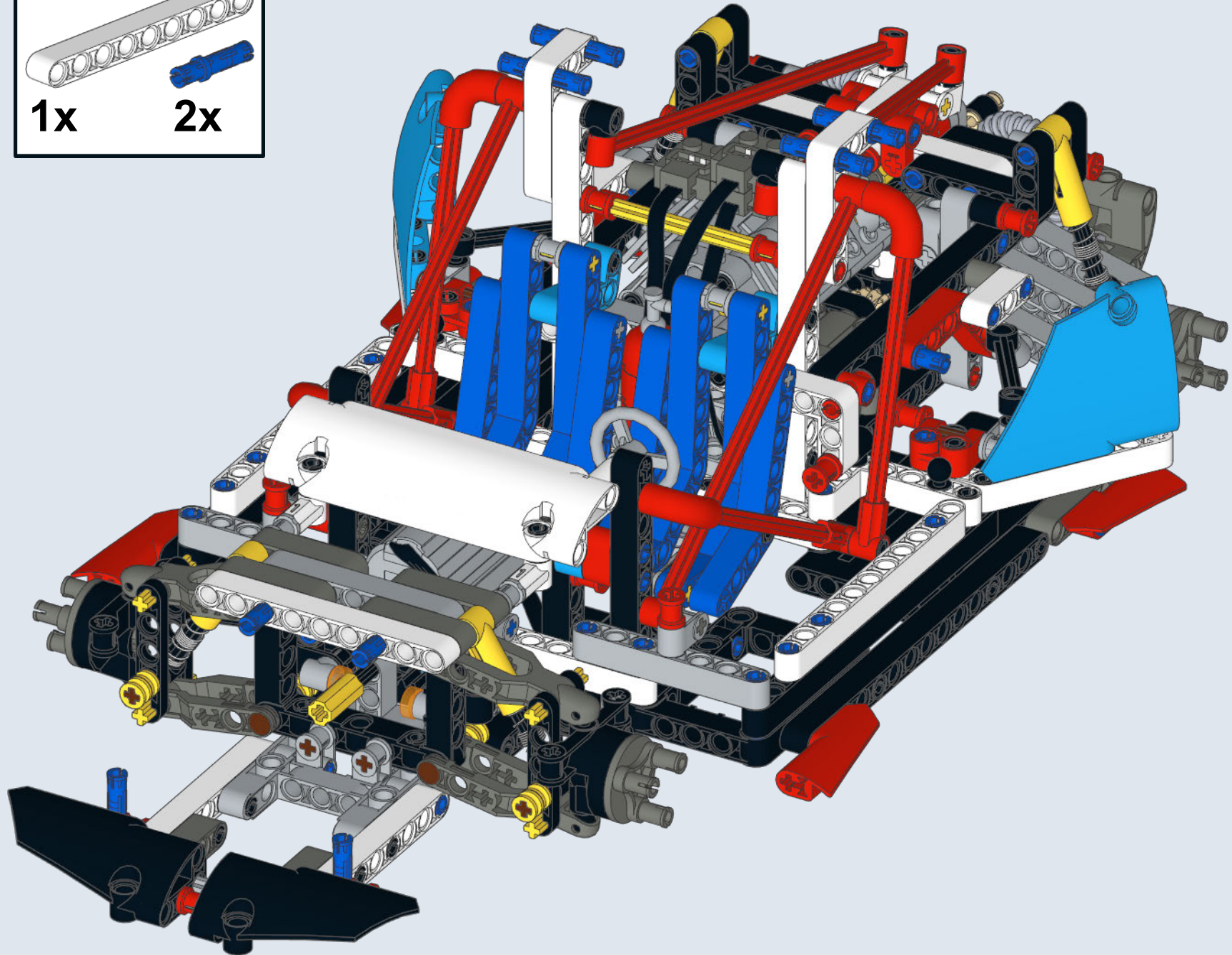
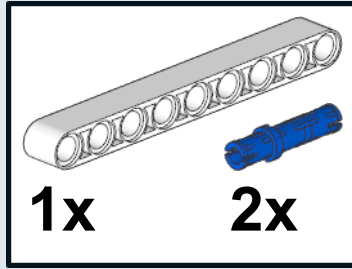


118-126

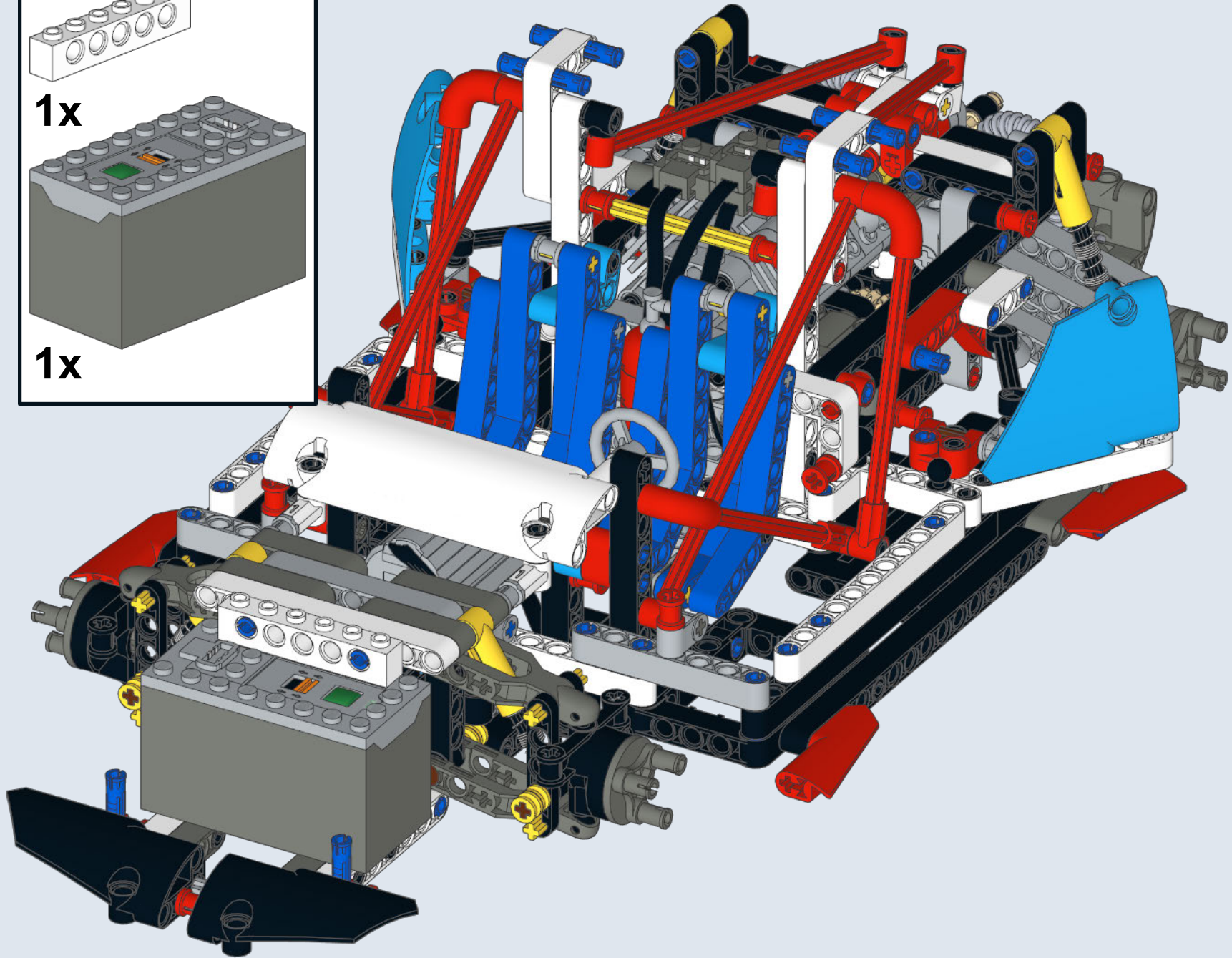
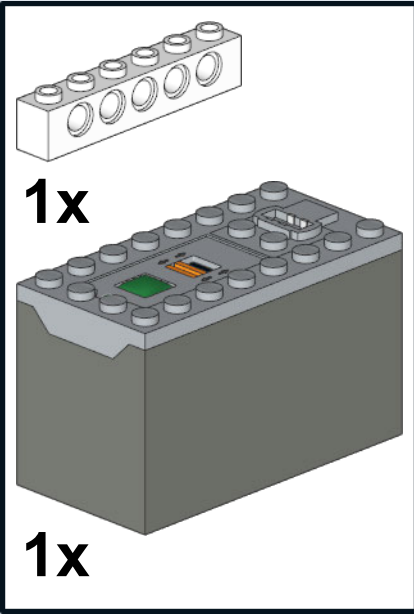
original steps



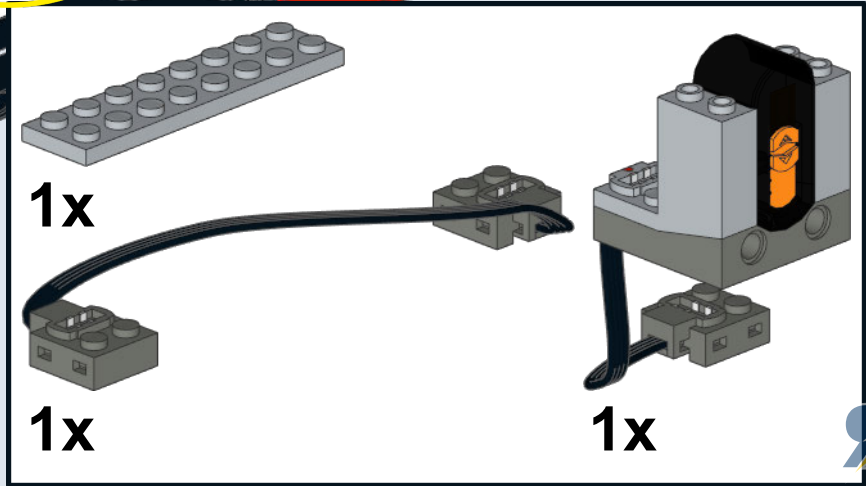
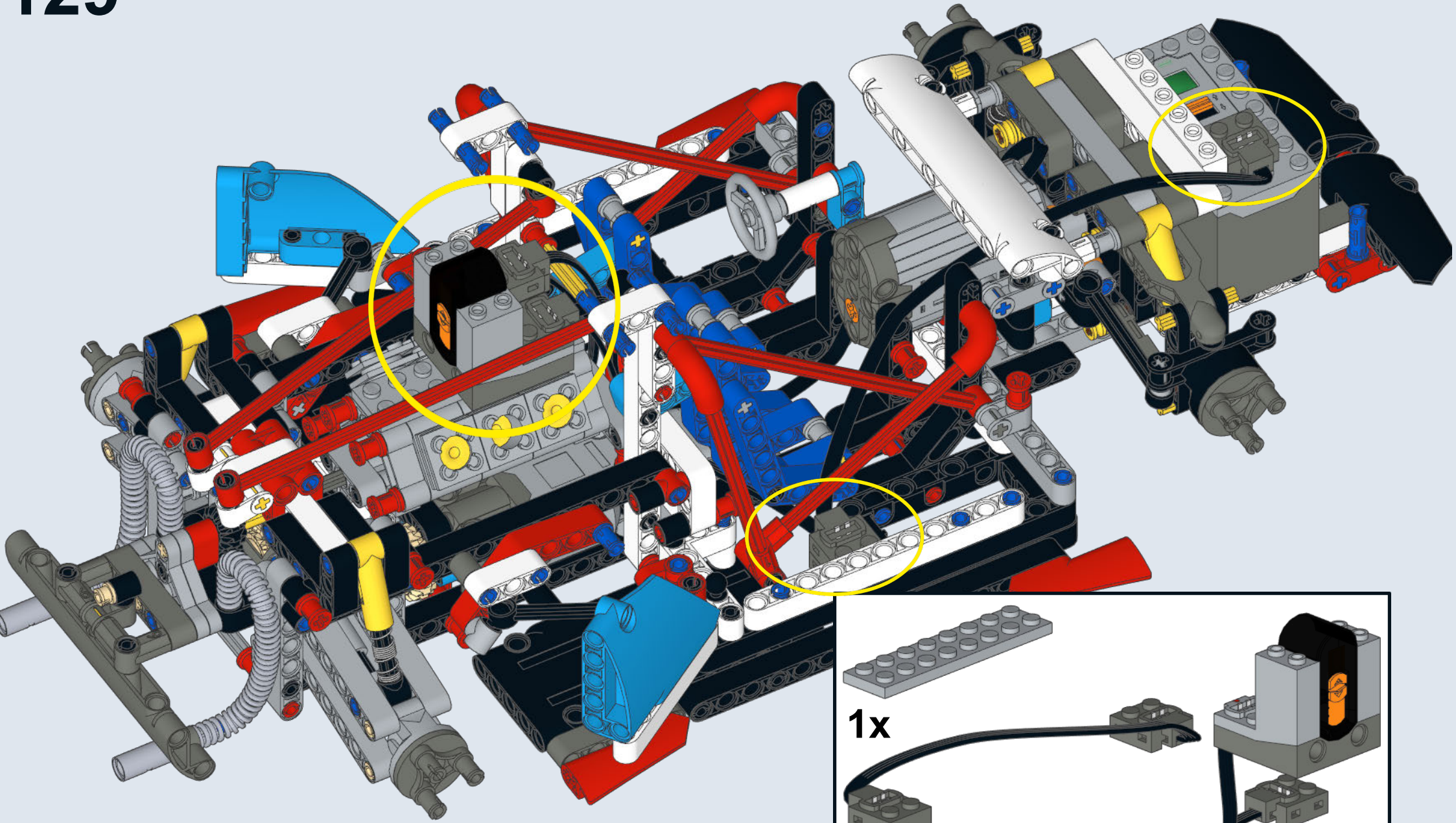
127



128



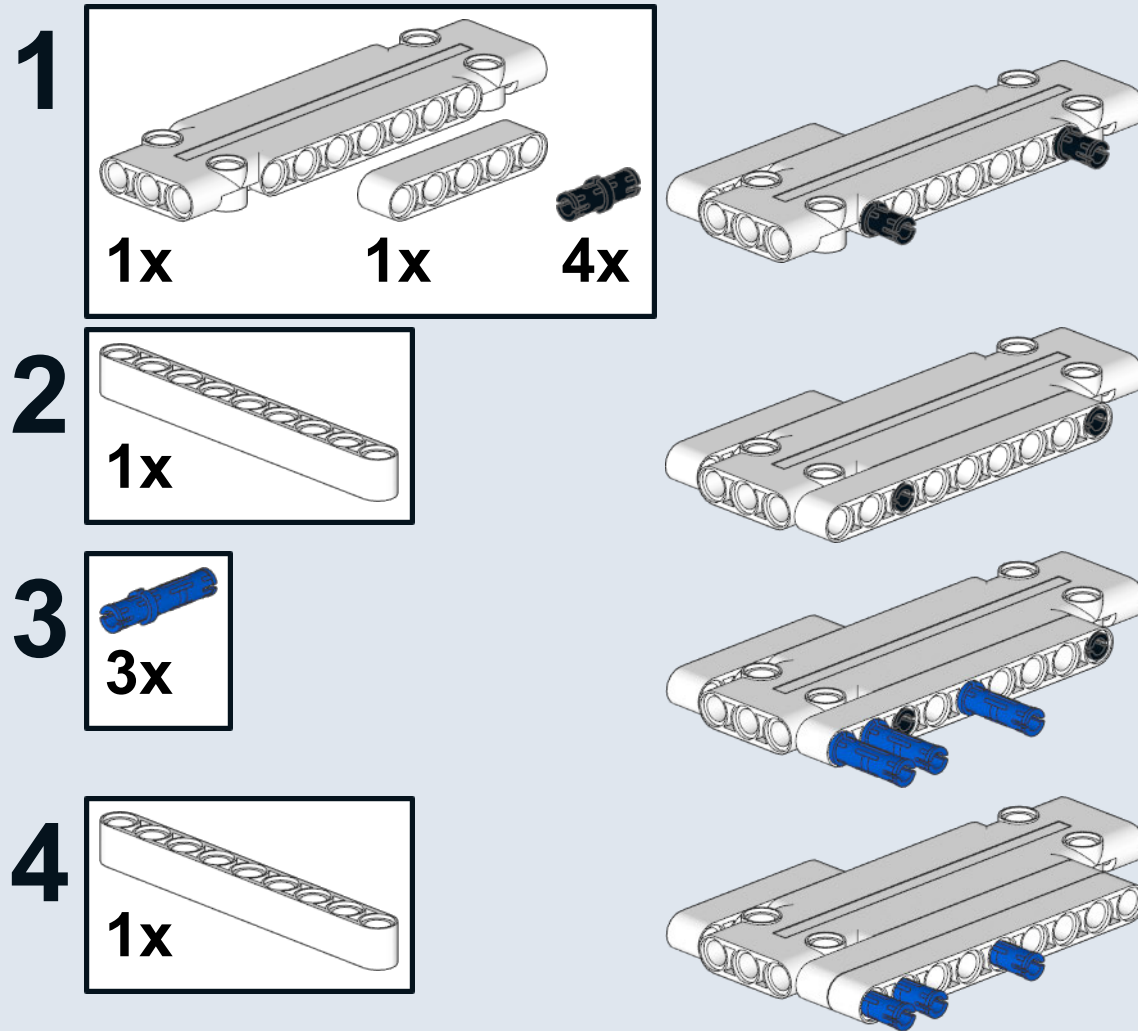
129

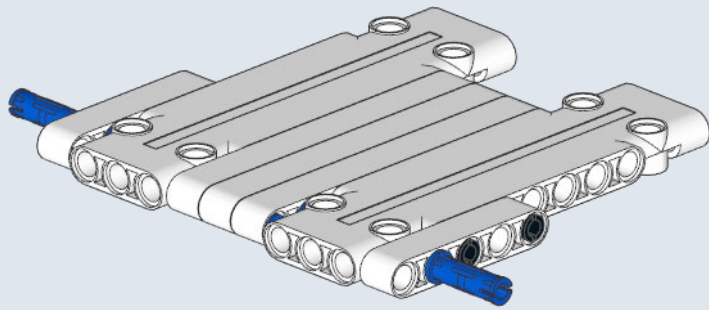
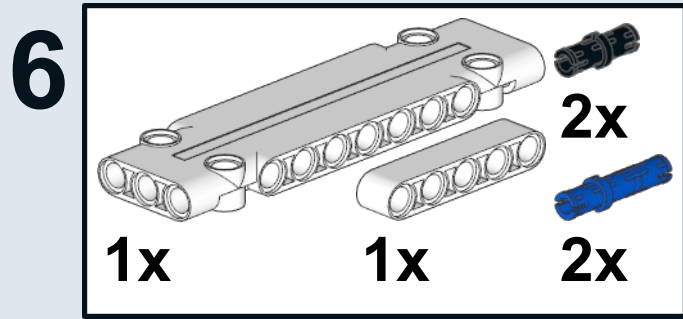
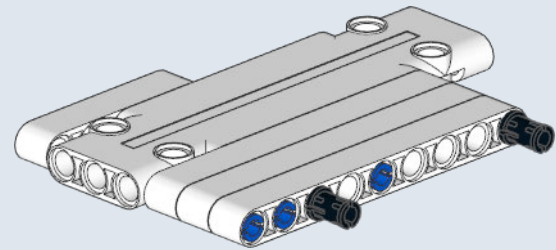
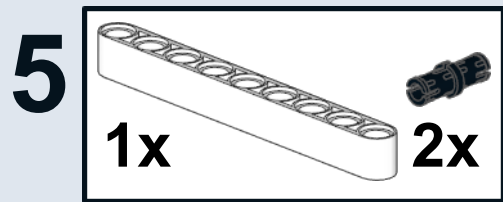


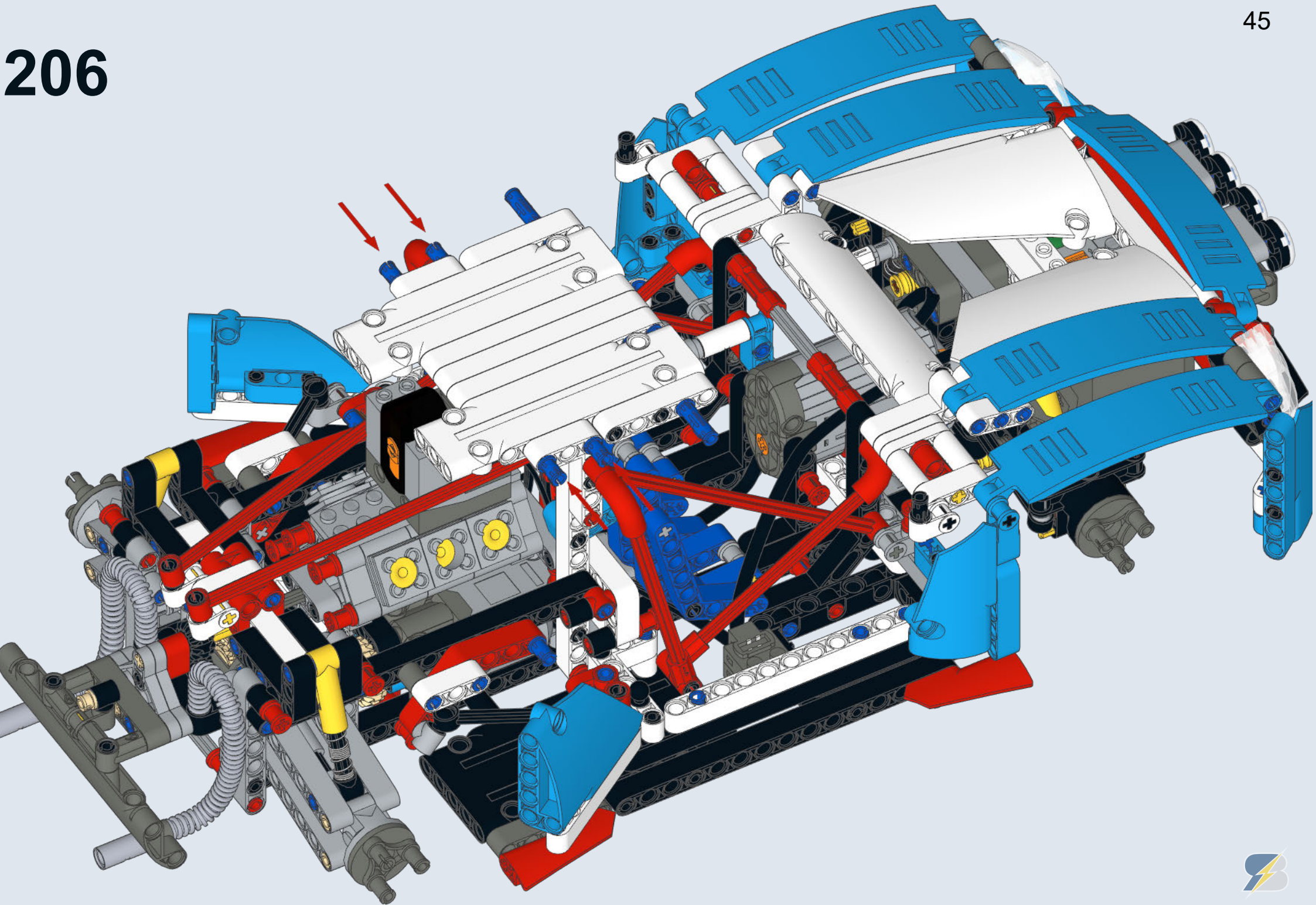
134-205

original steps





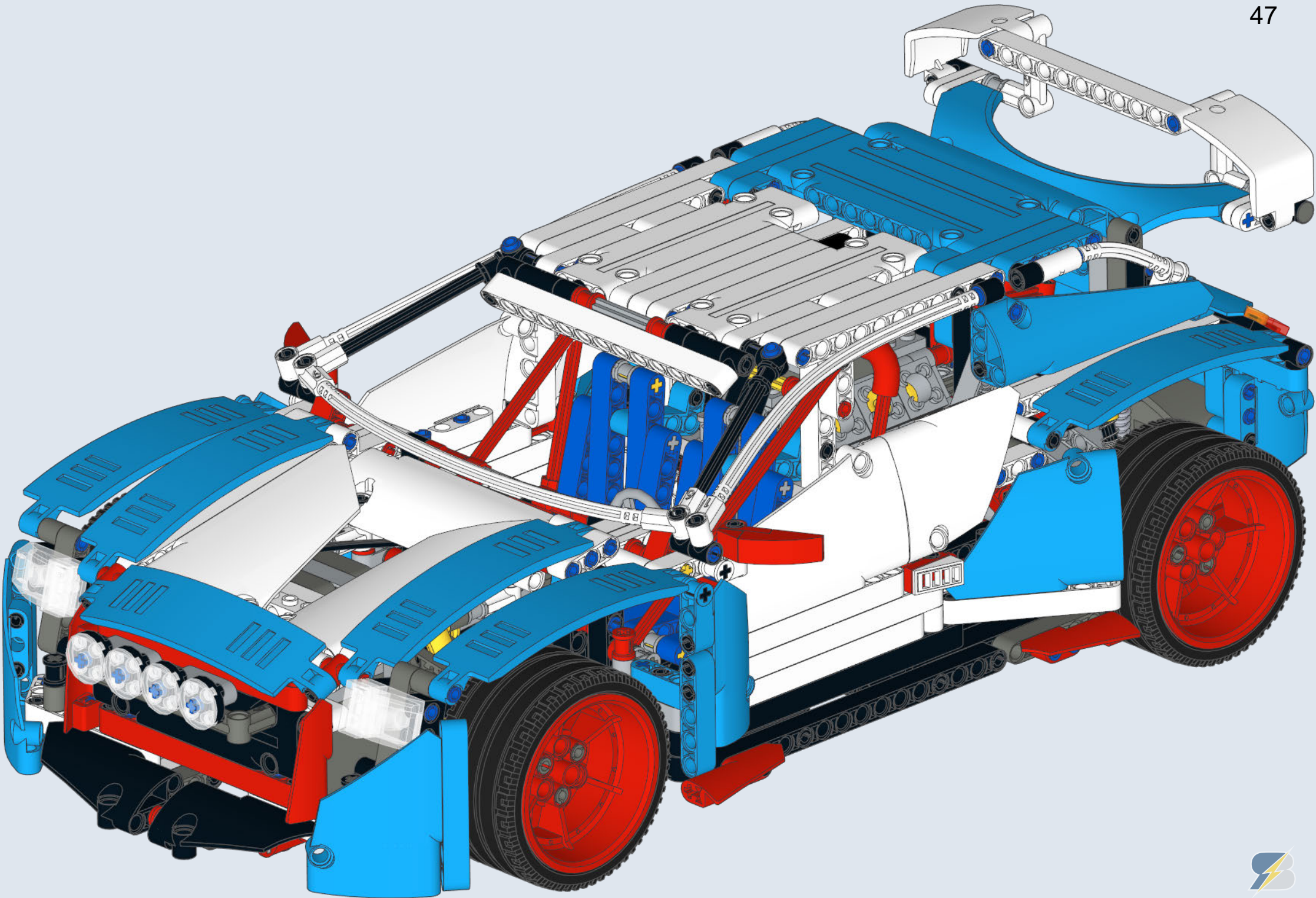




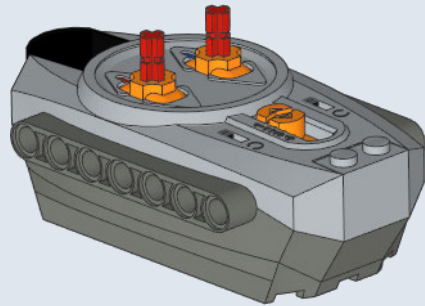
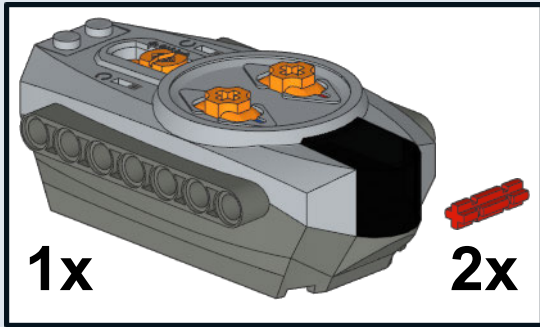
215-295

original steps

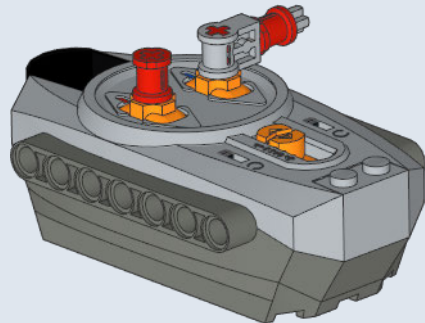
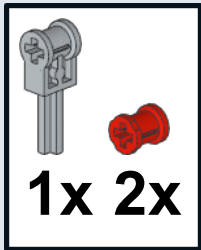




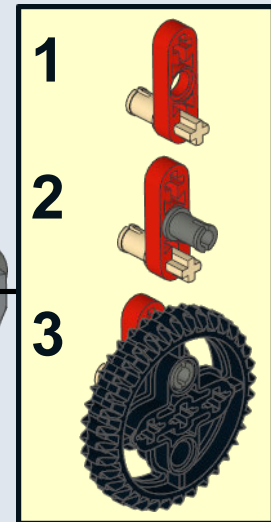
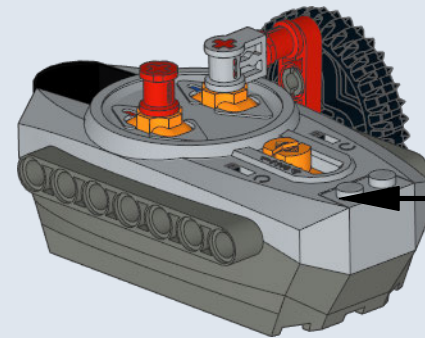
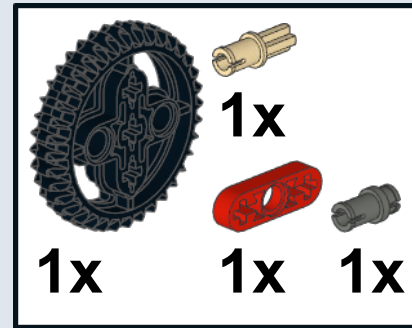
1

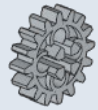


2



3





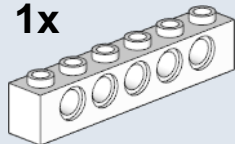
1x



2x



1x



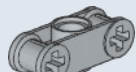
1x



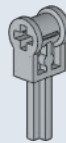
1x



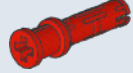
2x



2x



1x



6x



4x



1x



2x



1x



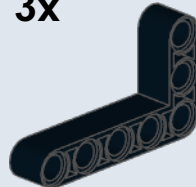
1x



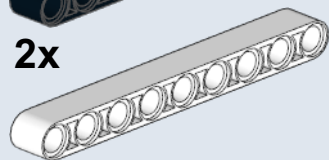
1x



3x



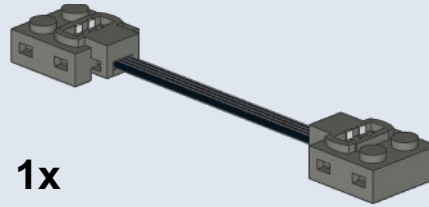
2x



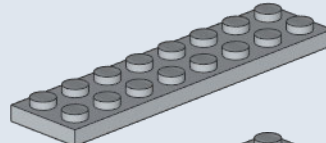
3x



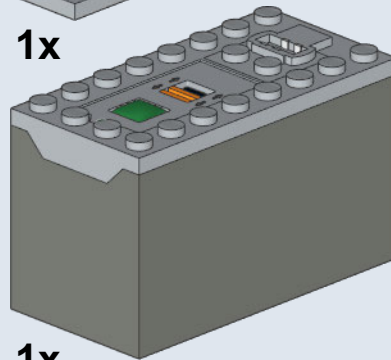
2x



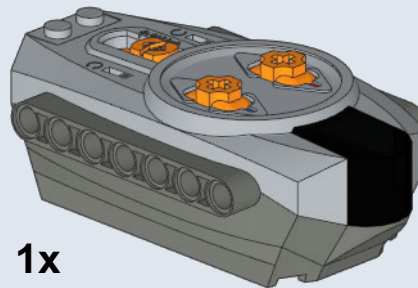
1x



1x



1x



1x



1x



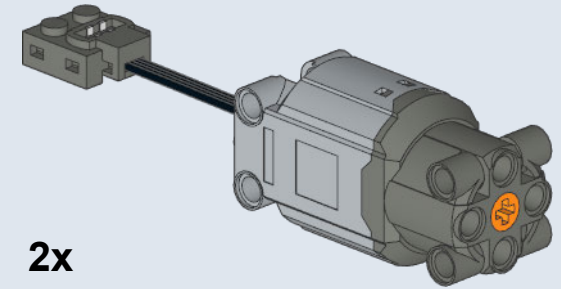
1x



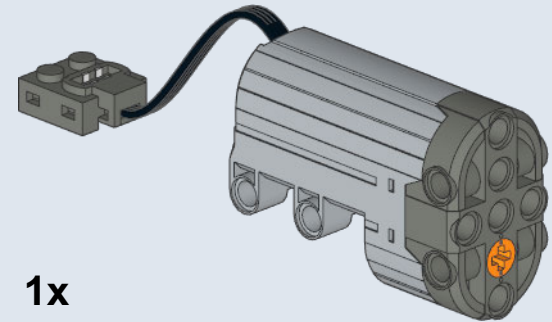
1x



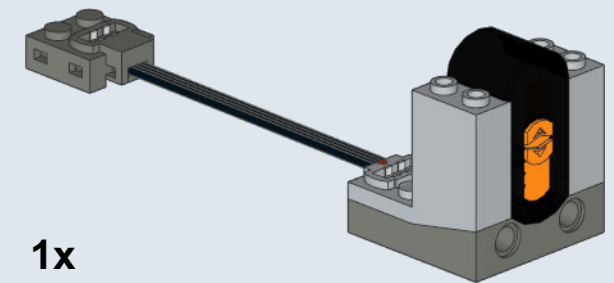
14x



2x



1x



1x

